

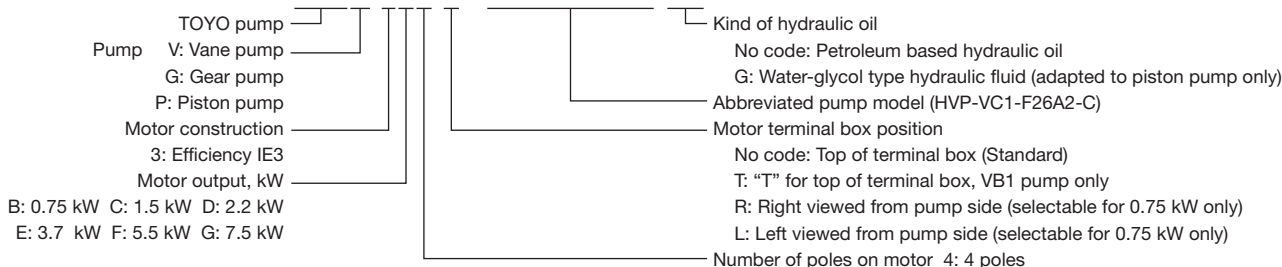
This pump consists of a pump and a motor directly connected in one assembly. Thanks to the configuration of the pump, machining of the motor mounting base and shaft aligning work are not necessary.

Features

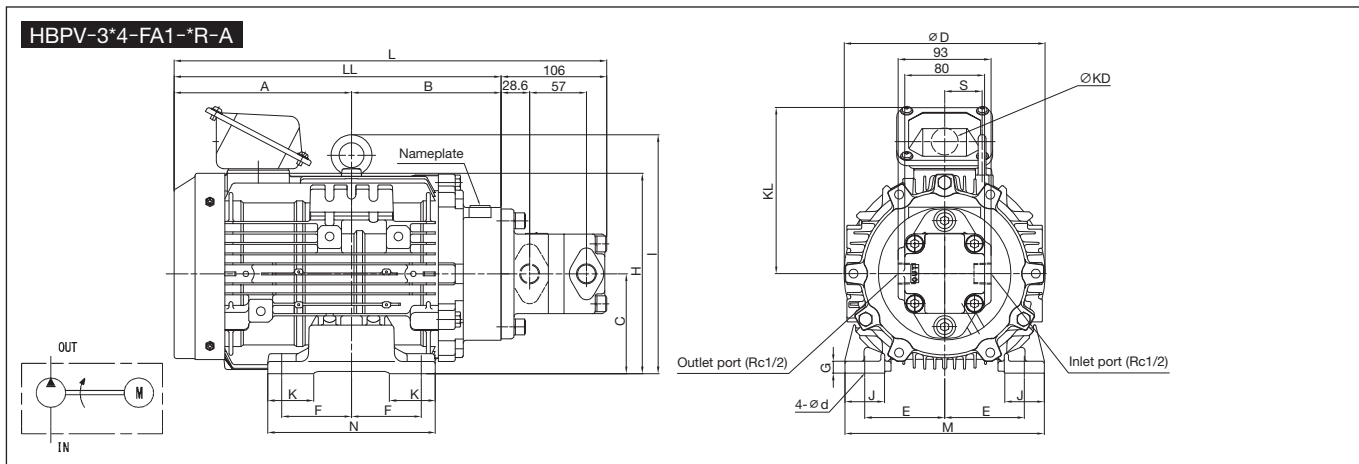
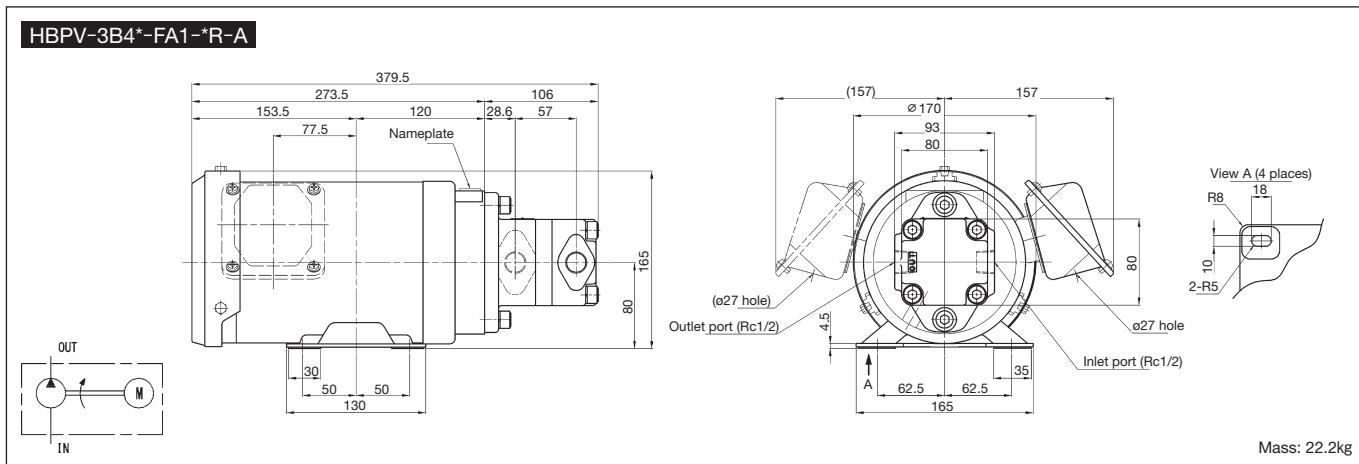
1. The pump is compact and requires only a small installation space.
2. Coupling is not necessary since the pump is corrected directly to the motor.
(Abrasion-resistance is improved since the shaft joint section is packed with grease and maintains lubrication.)
3. Center alignment is not necessary after replacing the pump.
 - This model complies with the Top Runner Regulation (Efficiency level IE3).
 - The motor to be used is a totally-enclosed fan coupled type 3-phase induction motor.
 - The standard power to be supplied to the motor is 200 VAC 50/60 Hz or 220 VAC 60 Hz.
 - Standard motor terminal box position is at the top.
 - The terminal box position is at the right or left on the motor of 0.75 kW output only. It is necessary to specify.
 - For pump specifications, refer to the series of each pump.
 - When using a TOYO piston pump, before starting the pump, supply hydraulic fluid through the oil filler port so that the pump is filled with the hydraulic fluid.
 - When placing an order, please specify the following model designation.

Description of the model designation

HBPV-3B4(L)-VC1-26A2-C(-G)



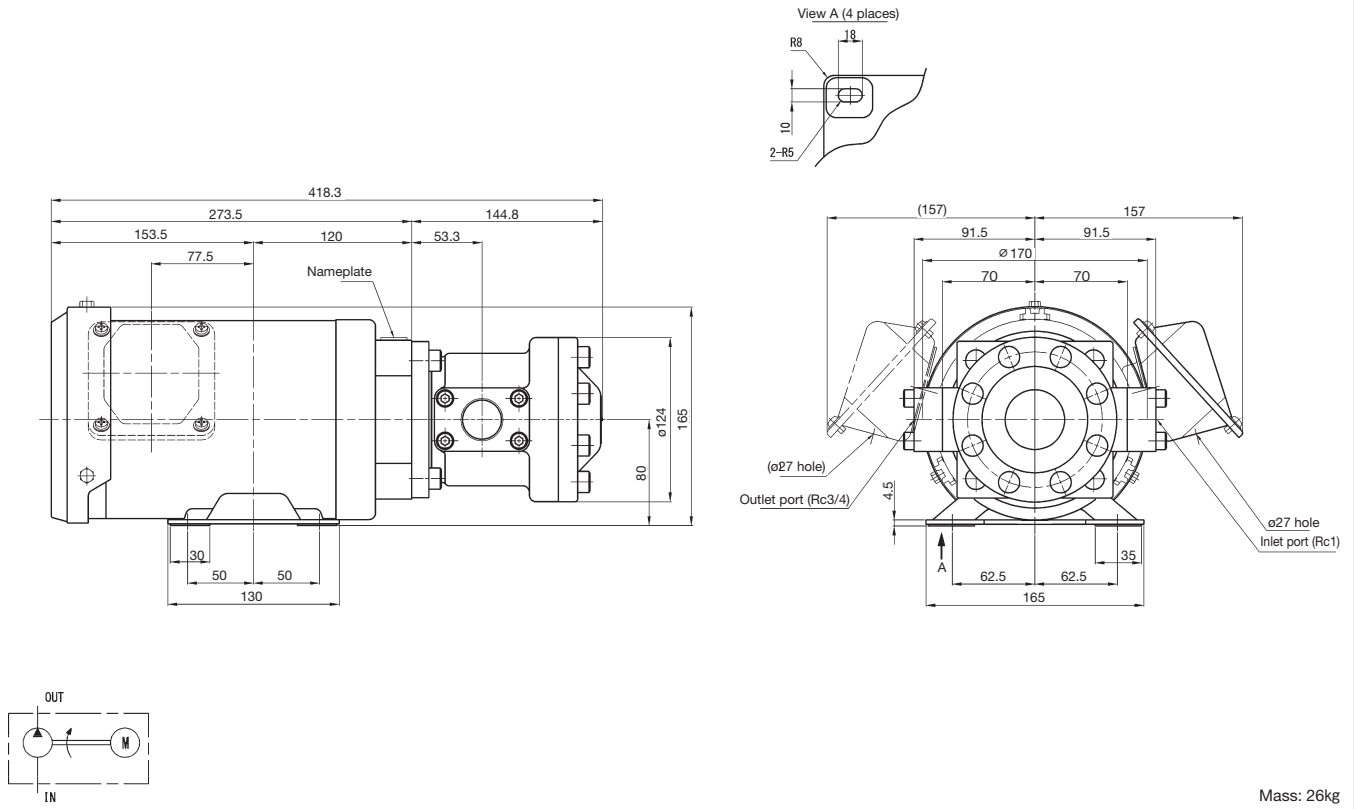
Outside dimensions (Vane pump)



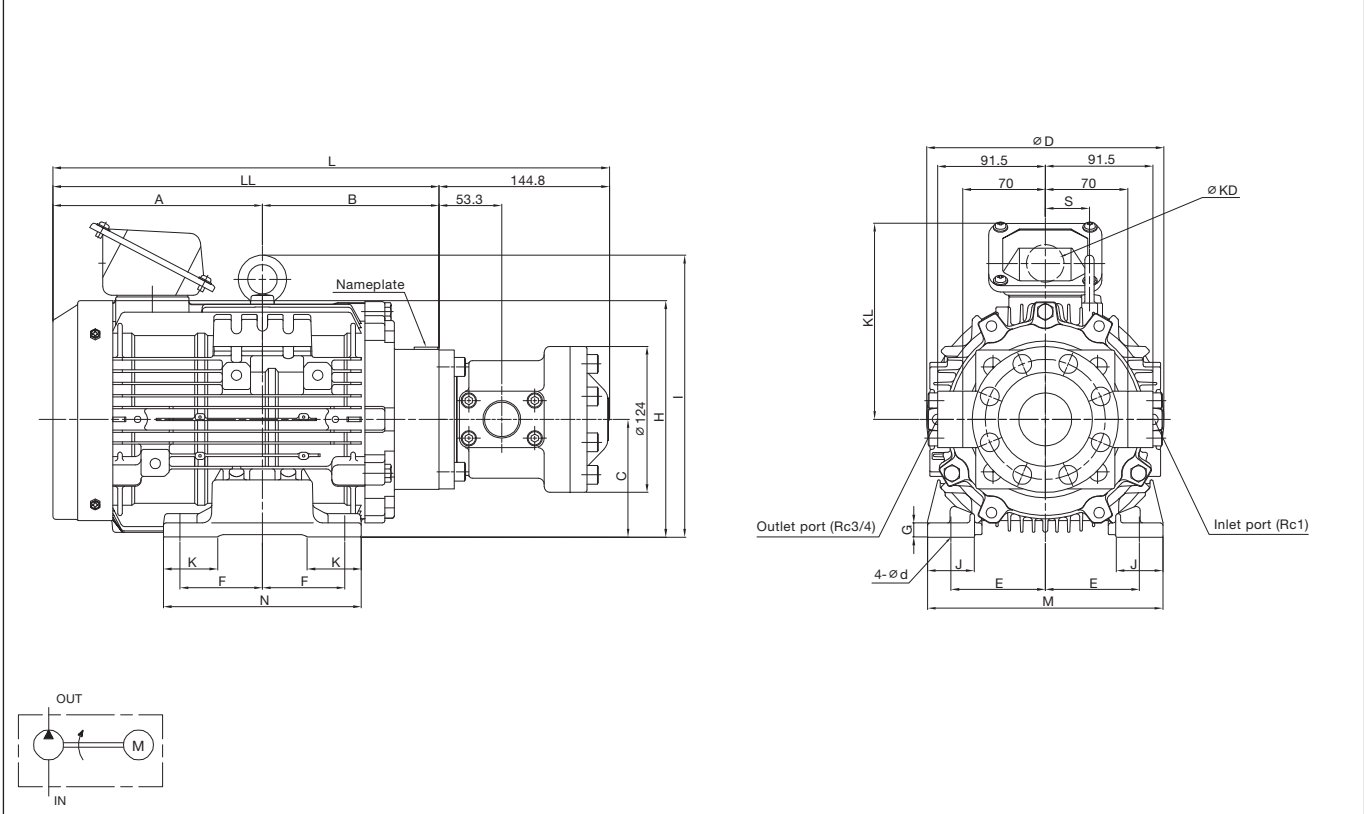
Model	A	B	C	D	E	F	G	H	I	J	K	L	LL	M	N	KD	KL	d (Slot)	S	Mass (kg)
HBPV-3C4-FA1-*R-A	154.5	135.5	90	202	70	62.5	10	191	-	40	40	396	290	176	149	27	167.5	10x12	-	28.7
HBPV-3D4-FA1-*R-A	178.0	150	100	202	80	70	12	-	240.5	40	40	434	328	200	168	27	167.5	12x14	37.5	36.7

■ Outside dimensions (Vane pump)

HBPV-3B4*-FC1-*R-B



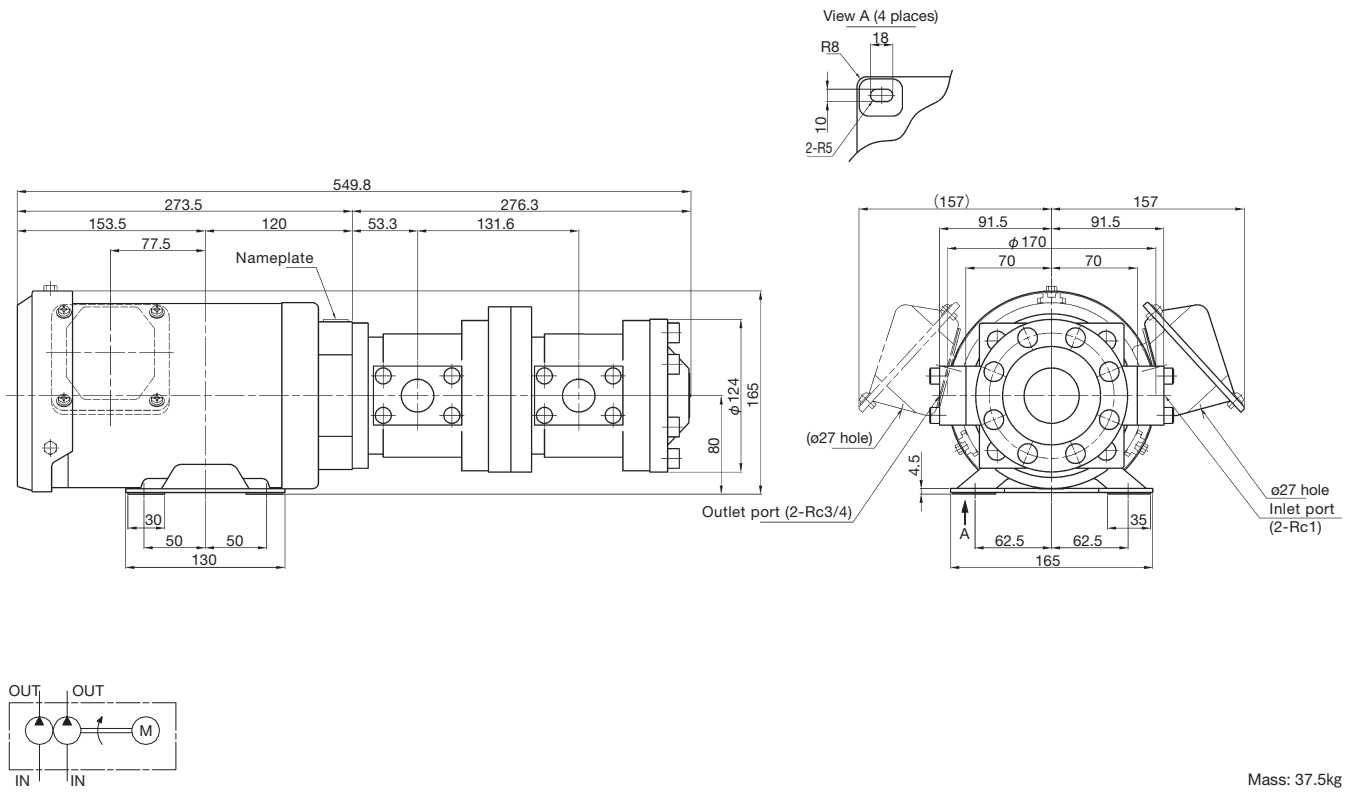
HBPV-3*4-FC1-*R-B



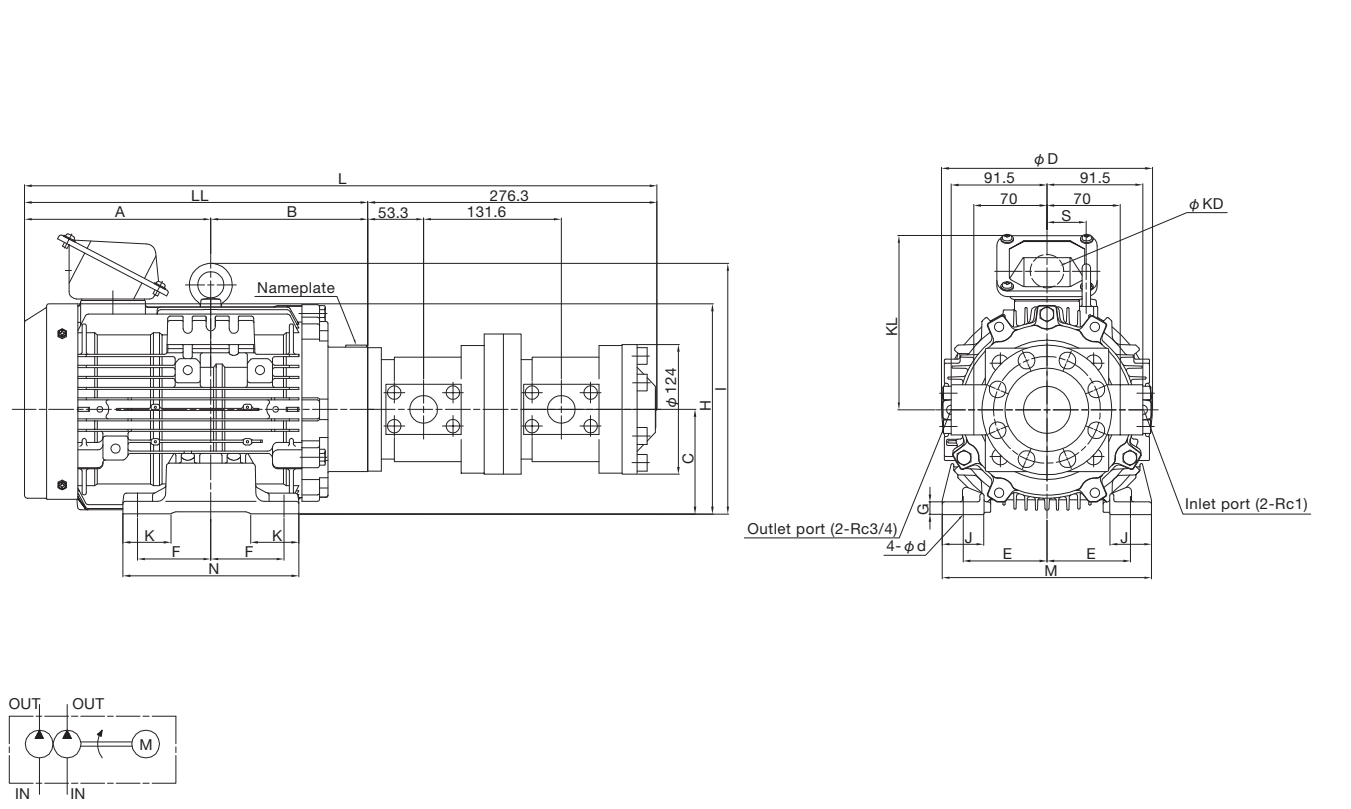
Model	A	B	C	D	E	F	G	H	I	J	K	L	LL	M	N	KD	KL	d (Slot)	S	Mass (kg)
HBPV-3C4-FC1-*R-B	154.5	135.5	90	202	70	62.5	10	191	-	40	40	434.8	290	176	149	27	167.5	10x12	-	32.5
HBPV-3D4-FC1-*R-B	178	150	100	202	80	70	12	-	240.5	40	46	472.8	328	200	168	27	167.5	12x14	37.5	41.5
HBPV-3E4-FC1-*R-B	186	150	112	243	95	70	12	-	271.5	40	44	480.8	336	220	168	27	186.5	12x14	47	50.5
HBPV-3F4-FC1-*R-B	210.5	160	132	285	108	70	15	-	323	50	50	515.3	370.5	260	175	49	263	12x14	56.5	73.5

■ Outside dimensions (Vane pump)

HBPV-3B4*-FCC1-*-R-B



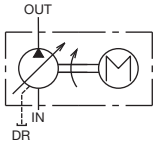
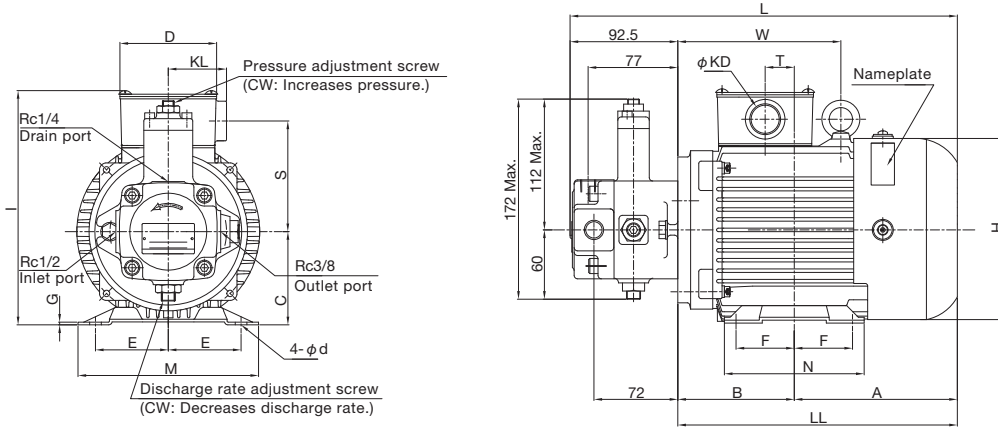
HBPV-3*4-FCC1-*-R-B



Model	A	B	C	D	E	F	G	H	I	J	K	L	LL	M	N	KD	KL	d (Slot)	S	Mass (kg)
HBPV-3C4-FCC1-*-R-B	154.5	135.5	90	202	70	62.5	10	191	-	40	40	566.3	290	176	149	27	167.5	10x12	-	44
HBPV-3D4-FCC1-*-R-B	178	150	100	202	80	70	12	-	240.5	40	46	604.3	328	200	168	27	167.5	12x14	37.5	53
HBPV-3E4-FCC1-*-R-B	186	150	112	243	95	70	12	-	271.5	40	44	612.3	336	220	168	27	186.5	12x14	47	62
HBPV-3F4-FCC1-*-R-B	210.5	160	132	285	108	70	15	-	323	50	50	646.8	370.5	260	175	49	263	12x14	56.5	85

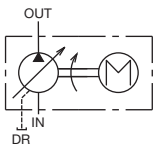
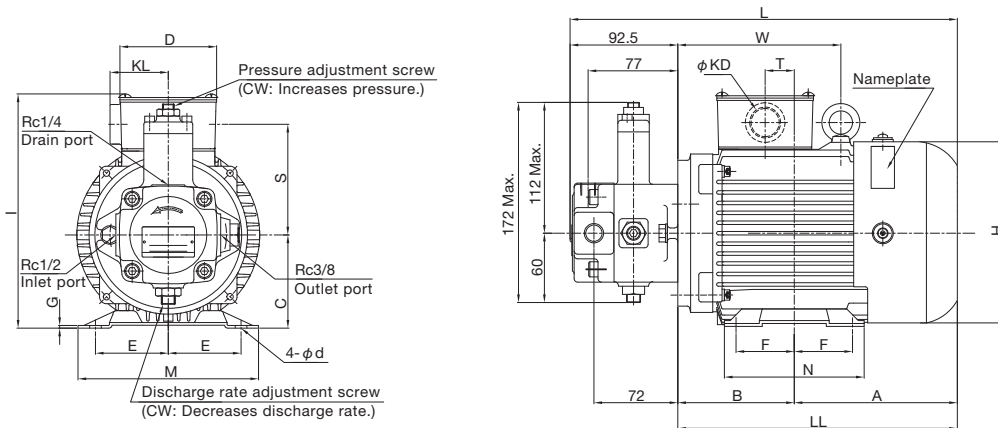
■ Outside dimensions (Vane pump)

HBPV-3*4T-VB1-12A*-C



Model	A	B	C	D	E	F	G	H	I	L	LL	M	N	KD	KL	d	S	T	W	Mass (kg)
HBPV-3B4T-VB1-12A*-C	140	100	80	83	62.5	50	2.3	157	200	332.5	240	155	120	G3/4	50	10	95	25	140	18.5
HBPV-3C4T-VB1-12A*-C	154	118.5	90	83	70	62.5	3.2	175	218	365	272.5	170	150	G3/4	50	10	103	35	148.5	22.5

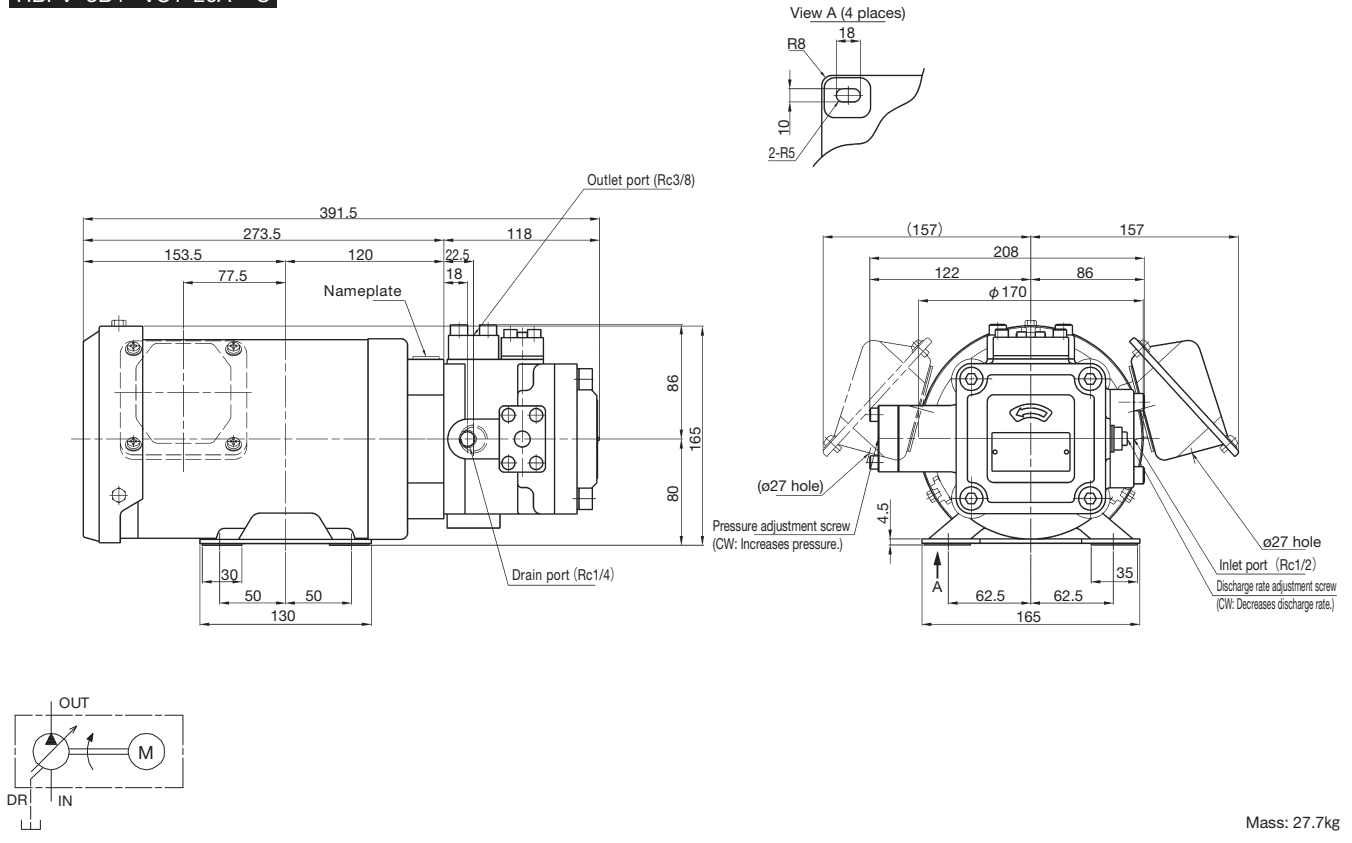
HBPV-3*4TL-L-VB1-12A*-C



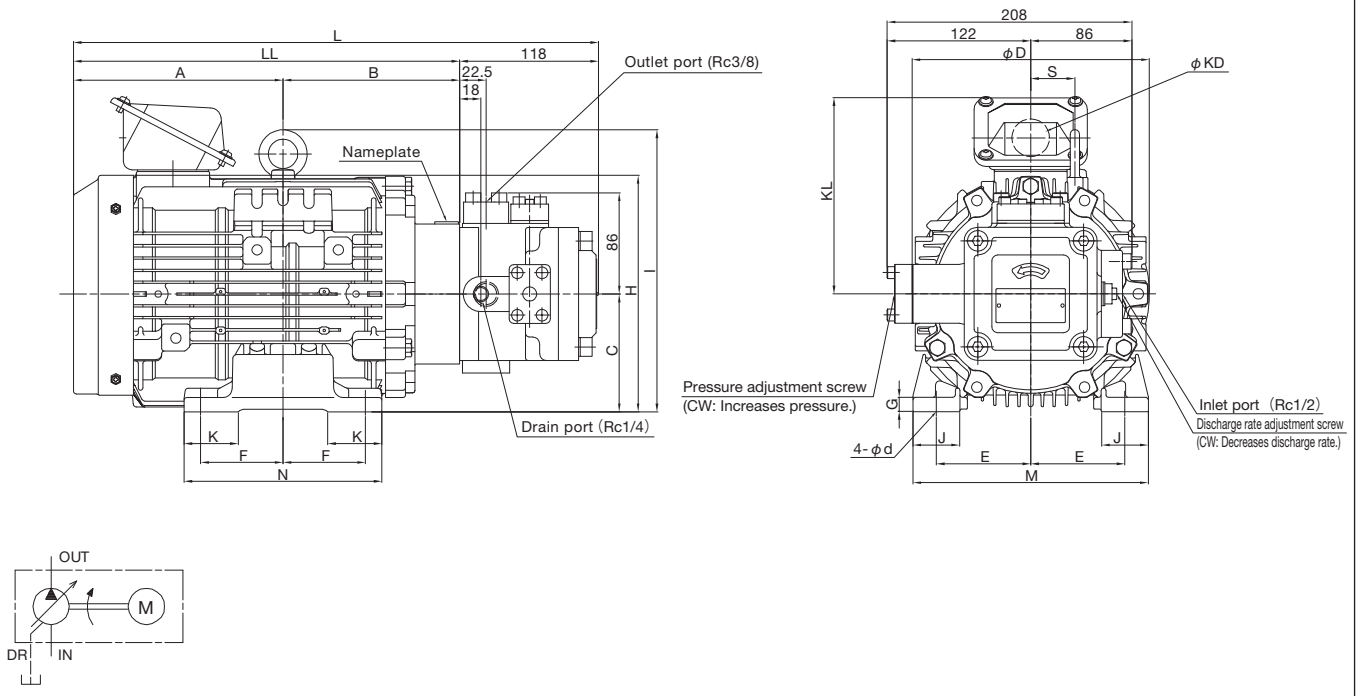
Model	A	B	C	D	E	F	G	H	I	L	LL	M	N	KD	KL	d	S	T	W	Mass (kg)
HBPV-3B4TL-L-VB1-12A*-C	140	100	80	83	62.5	50	2.3	157	200	332.5	240	155	120	G3/4	50	10	95	25	140	18.5
HBPV-3C4TL-L-VB1-12A*-C	154	118.5	90	83	70	62.5	3.2	175	218	365	272.5	170	150	G3/4	50	10	103	35	148.5	22.5

■ Outside dimensions (Vane pump)

HBPV-3B4*-VC1-26A*-C



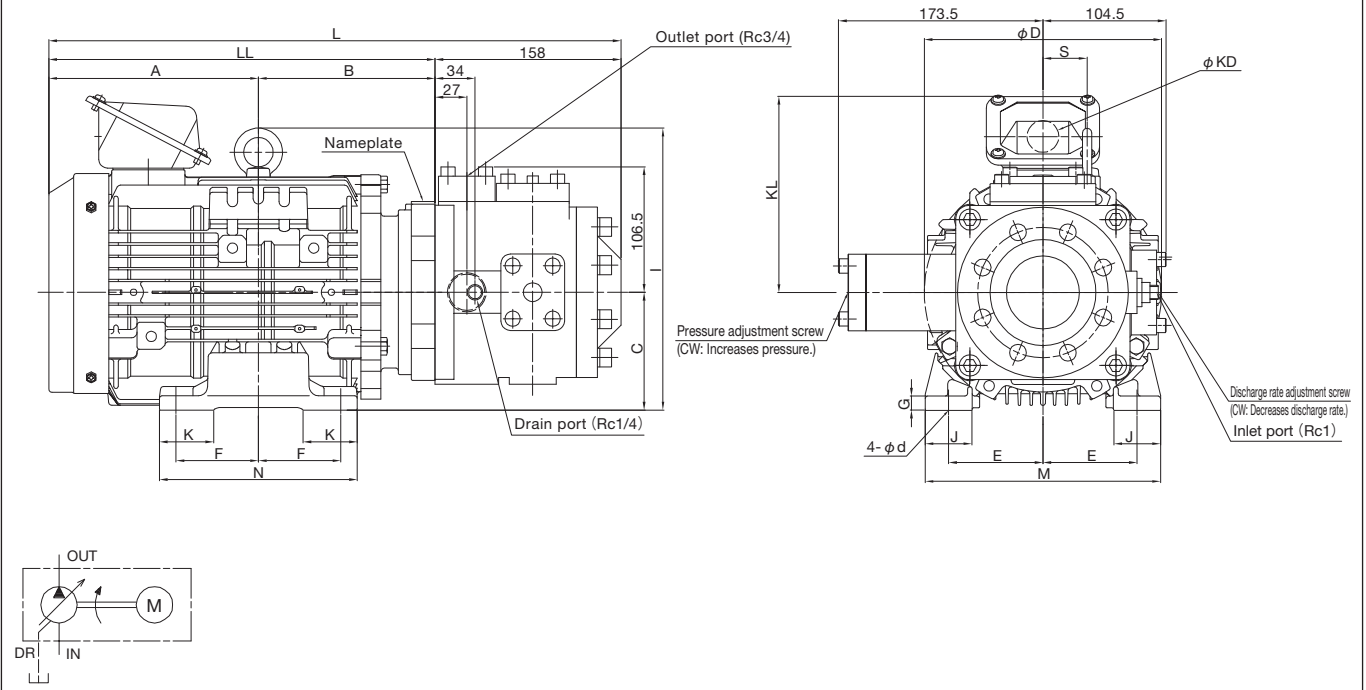
HBPV-3*4-VC1-26A*-C



Model	A	B	C	D	E	F	G	H	I	J	K	L	LL	M	N	KD	KL	d (Slot)	S	Mass (kg)
HBPV-3C4-VC1-26A*-C	154.5	135.5	90	202	70	62.5	10	191	-	40	40	408	290	176	149	27	167.5	10x12	-	34.2
HBPV-3D4-VC1-26A*-C	178	150	100	202	80	70	12	-	240.5	40	46	446	328	200	168	27	167.5	12x14	37.5	43.2
HBPV-3E4-VC1-26A*-C	186	150	112	243	95	70	12	-	271.5	40	44	454	336	220	168	27	186.5	12x14	47	52.2

■ Outside dimensions (Vane pump)

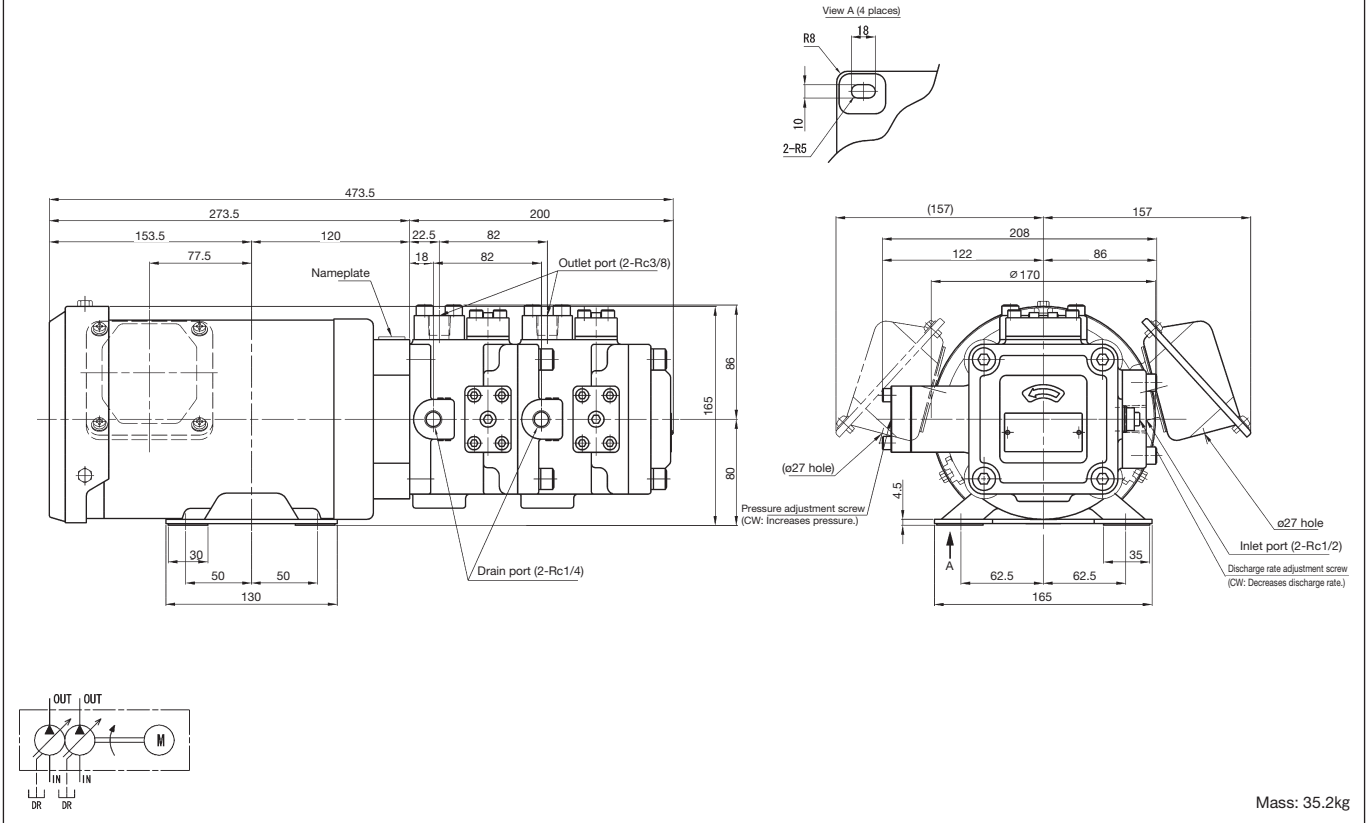
HBPV-3*4-VD1-45A*-C



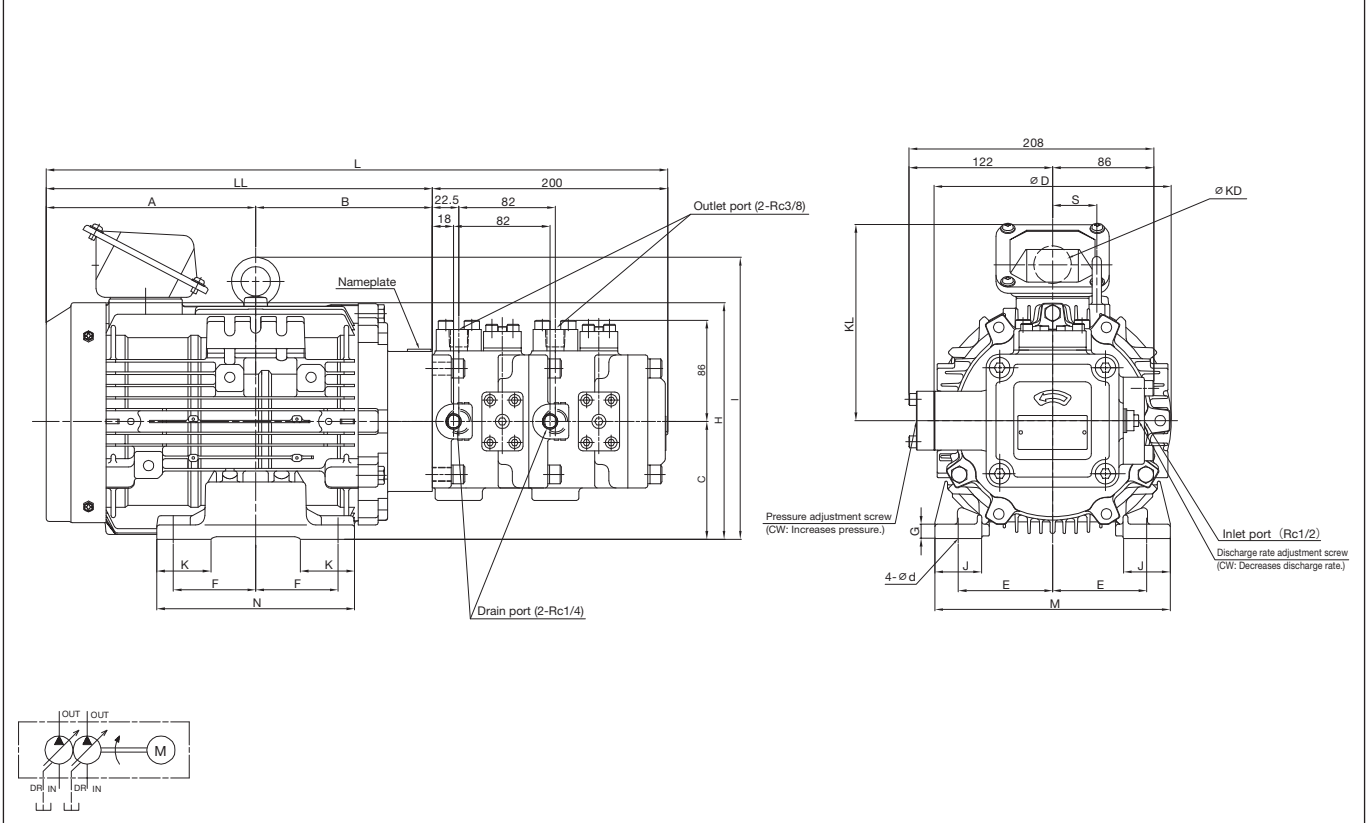
Model	A	B	C	D	E	F	G	I	J	K	L	LL	M	N	KD	KL	d (Slot)	S	Mass (kg)
HBPV-3D4-VD1-45A*-C	178	150	100	202	80	70	12	240.5	40	46	486	328	200	168	27	167.5	12×14	37.5	54.1
HBPV-3E4-VD1-45A*-C	186	150	112	243	95	70	12	271.5	40	44	494	336	220	168	27	186.5	12×14	47	64.1

■ Outside dimensions (Vane pump)

HBPV-3B4*-VCC1-26-26A*A*-C



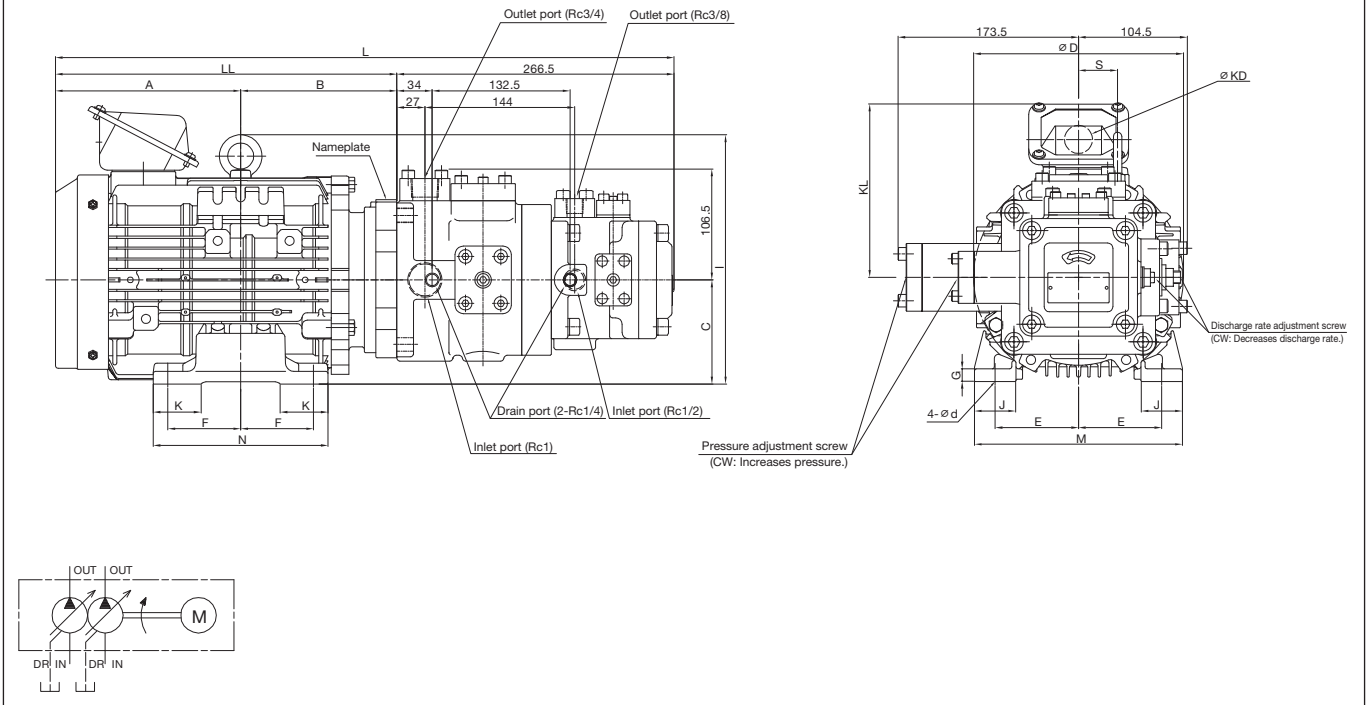
HBPV-3*4-VCC1-26-26A*A*-C



Model	A	B	C	D	E	F	G	H	I	J	K	L	LL	M	N	KD	KL	d (Slot)	S	Mass (kg)
HBPV-3C4-VCC1-26-26A*A*-C	154.5	135.5	90	202	70	62.5	10	191	-	40	40	490	290	176	149	27	167.5	10x12	-	41.7
HBPV-3D4-VCC1-26-26A*A*-C	178	150	100	202	80	70	12	-	240.5	40	46	528	328	200	168	27	167.5	12x14	37.5	50.7
HBPV-3E4-VCC1-26-26A*A*-C	186	150	112	243	95	70	12	-	271.5	40	44	536	336	220	168	27	186.5	12x14	47	59.7

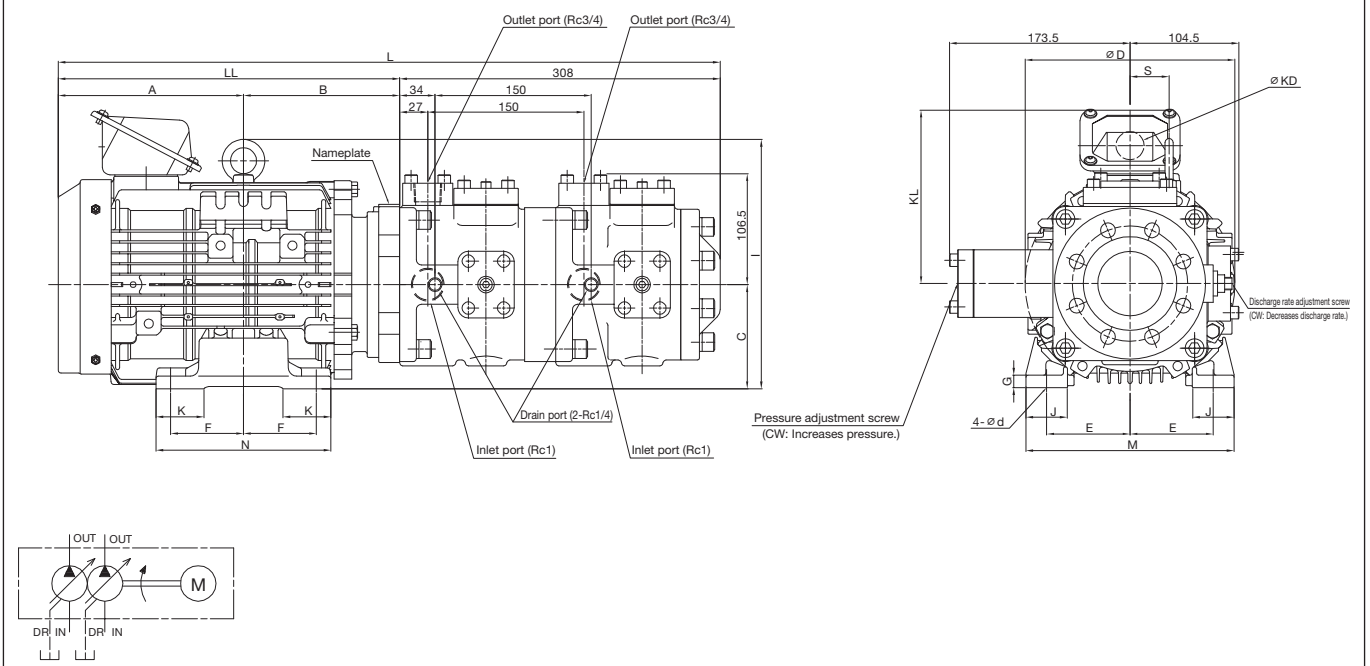
Outside dimensions (Vane pump)

HBPV-3*4-VCD1-26-45A*A*-C



Model	A	B	C	D	E	F	G	I	J	K	L	LL	M	N	KD	KL	d(Slot)	S	Mass (kg)
HBPV-3D4-VCD1-26-45A*A*-C	178	150	100	202	80	70	12	240.5	40	46	594.5	328	200	168	27	167.5	12x14	37.5	65.5
HBPV-3E4-VCD1-26-45A*A*-C	186	150	112	243	95	70	12	271.5	40	44	602.5	336	220	168	27	186.5	12x14	47	74.5

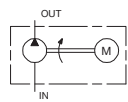
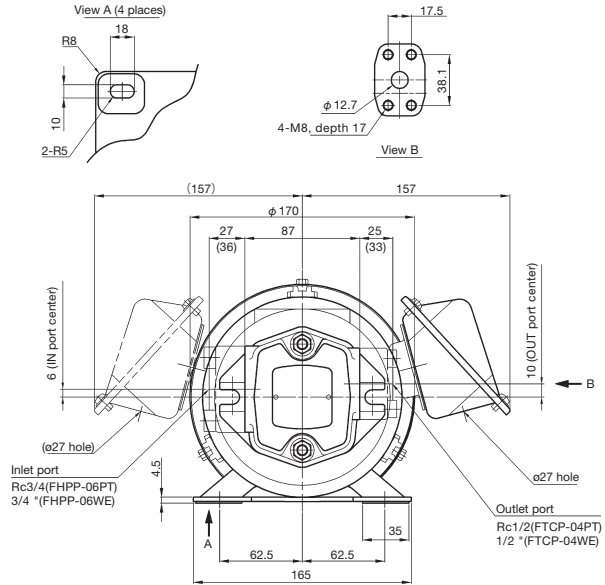
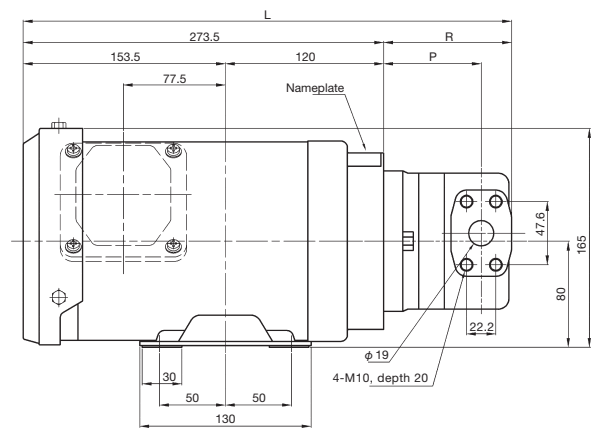
HBPV-3*4-VDD1-45-45A*A*-C



Model	A	B	C	D	E	F	G	I	J	K	L	LL	M	N	KD	KL	d(Slot)	S	Mass (kg)
HBPV-3D4-VDD1-45-45A*A*-C	178	150	100	202	80	70	12	240.5	40	46	636	328	200	168	27	167.5	12x14	37.5	77.8
HBPV-3E4-VDD1-45-45A*A*-C	186	150	112	243	95	70	12	271.5	40	44	644	336	220	168	27	186.5	12x14	47	86.8

Outside dimensions (Gear pump)

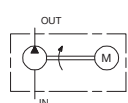
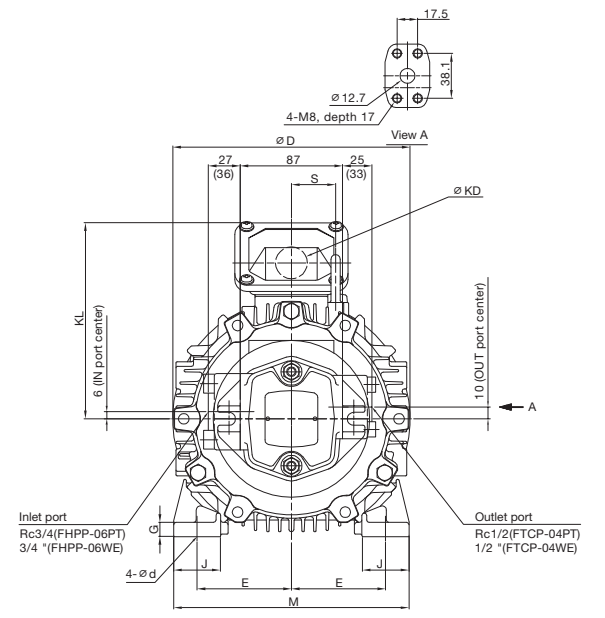
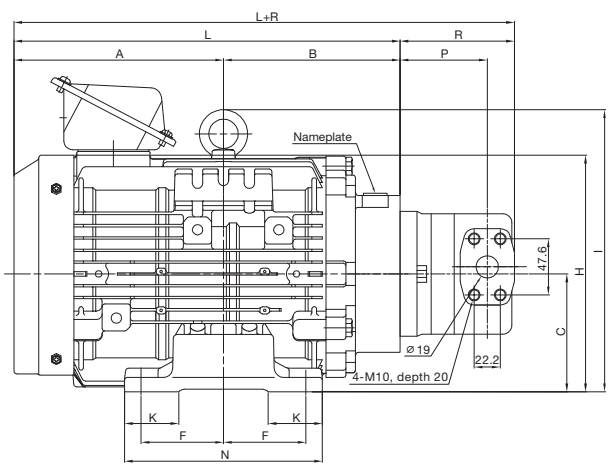
HBPB-3B4*-TCP2-*R-B



(Note) Parentheses in the outside dimensions indicate the dimension for use of welding flange. Unless the parentheses are shown, it indicates the dimensions for use of Rc thread flange.
 ● For pipe flange dimensions, refer to A-31 page.

Pump capacity (cm ³ /rev)	P	R	L	Mass (kg)
5	64	85	358.5	19.9
6.3	66.5	87.5	361	20.0
8	70	91	364.5	20.1
10	74	95	368.5	20.3

HBPB-3*4-TCP2-*R-B

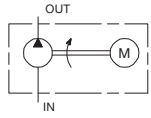
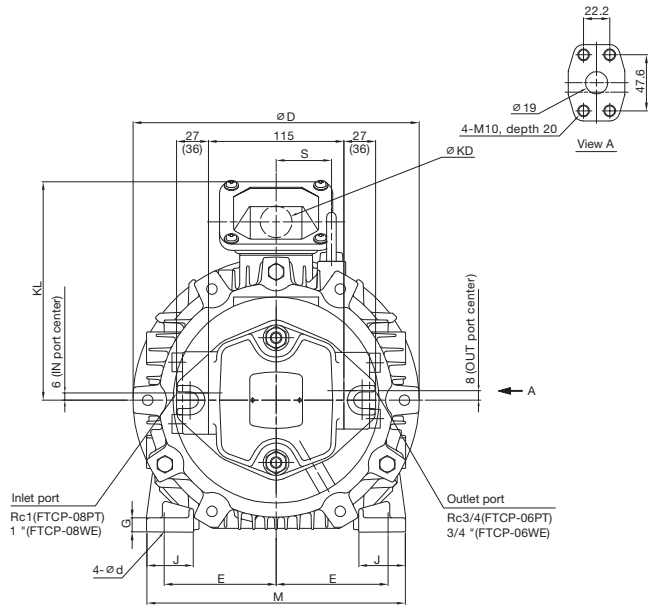
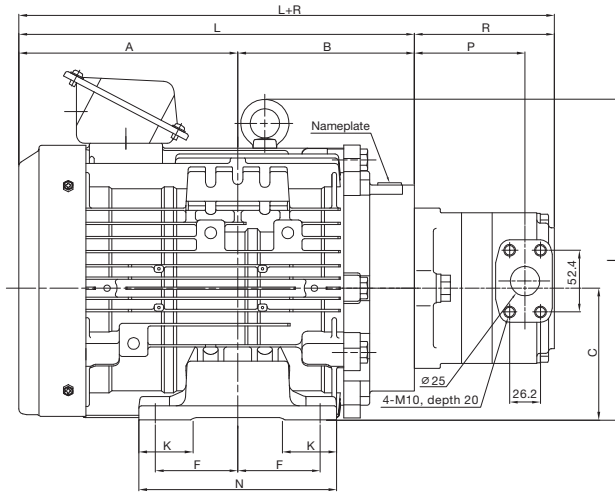


(Note) Parentheses in the outside dimensions indicate the dimension for use of welding flange. Unless the parentheses are shown, it indicates the dimensions for use of Rc thread flange.
 ● For pipe flange dimensions, refer to A-31 page.

Model	A	B	C	D	E	F	G	H	I	J	K	L	M	N	KD	KL	d (Slot)	S	Motor weight (kg)	Pump capacity (cm ³ /rev)	P	R	Pump weight (kg)
HBPB-3C4-TCP2-*R-B	154.5	135.5	90	202	70	62.5	10	191	-	40	40	290	176	149	27	167.5	10x12	-	24	5	64	85	2.4
HBPB-3D4-TCP2-*R-B	178	150	100	202	80	70	12	-	240.5	40	46	328	200	168	27	167.5	12x14	37.5	32	6.3	66.5	87.5	2.5
HBPB-3E4-TCP2-*R-B	186	150	112	243	95	70	12	-	271.5	40	44	336	220	168	27	186.5	12x14	47	42	8	70	91	2.6
HBPB-3F4-TCP2-*R-B	210.5	160	132	285	108	70	15	-	323	50	50	370.5	260	175	49	263	12x14	56.5	65	10	74	95	2.8

■ Outside dimensions (Gear pump)

HBPG-3*4-TCP3-*R-B



(Note) Parentheses in the outside dimensions indicate the dimension for use of welding flange.
 Unless the parentheses are shown, it indicates the dimensions for use of Rc thread flange.
 ● For pipe flange dimensions, refer to A-31 page.

Model	A	B	C	D	E	F	G	I	J	K	L	M	N	KD	KL	d (Slot)	S	Motor weight (kg)
HBPG-3E4-TCP3-*R-B	186	150	112	243	95	70	12	271.5	40	44	336	220	168	27	186.5	12x14	47	42
HBPG-3F4-TCP3-*R-B	210.5	170	132	285	108	70	15	323	50	50	380.5	260	175	49	263	12x14	56.5	65

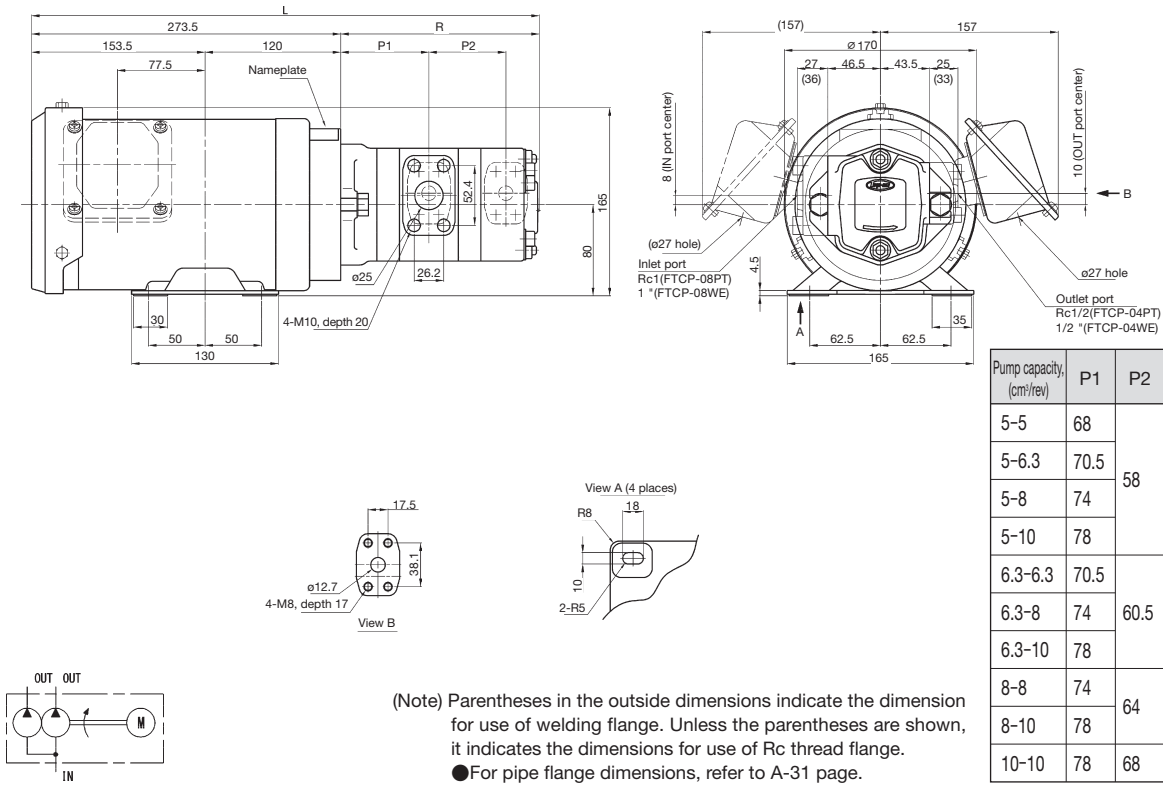
Pump capacity (cm ³ /rev)	P	R	Pump weight (kg)
12.5	81	106	4.9
16	84.5	109.5	5.2
20	89	114	5.5
25	94	119	5.9

A

PUMPS AND MOTORS

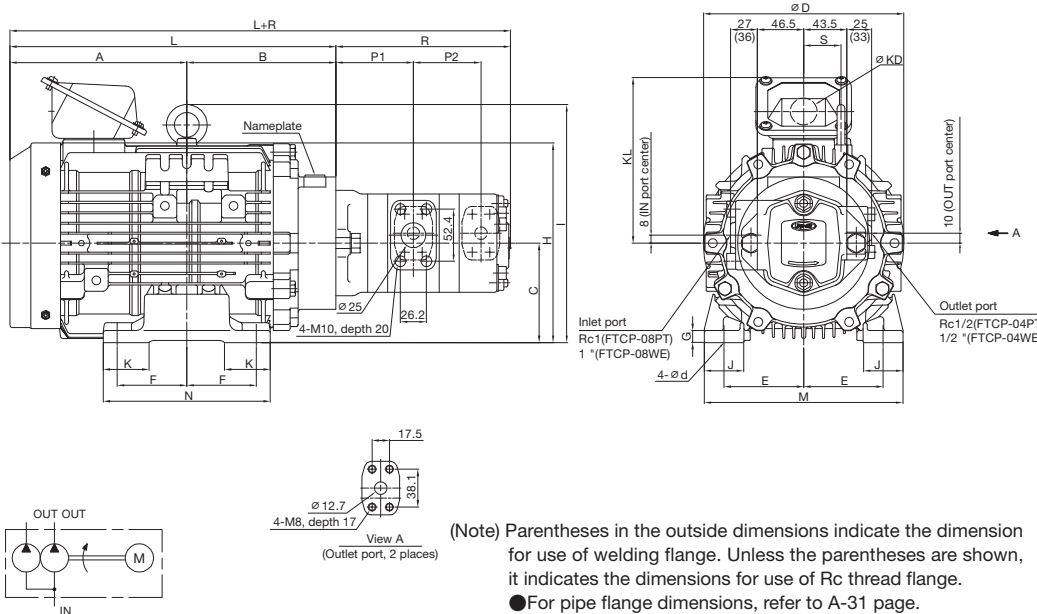
■ Outside dimensions (Gear pump)

HBPB-3B4*-TCP22-*-R-B



Pump capacity (cm ³ /rev)	P1	P2	R	L	Mass (kg)
5-5	68	58	156	429.5	21.9
5-6.3	70.5		158.5	432	22
5-8	74		162	435.5	22.1
5-10	78		166	439.5	22.3
6.3-6.3	70.5	60.5	161	434.5	22.1
6.3-8	74		164.5	438	22.2
6.3-10	78		168.5	442	22.4
8-8	74	64	168	441.5	22.3
8-10	78		172	445.5	22.5
10-10	78	68	176	449.5	22.7

HBPB-3*4-TCP22-*-R-B

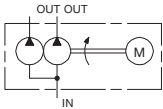
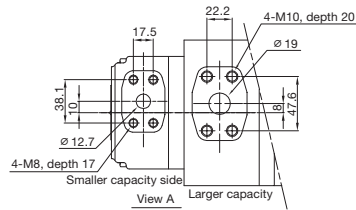
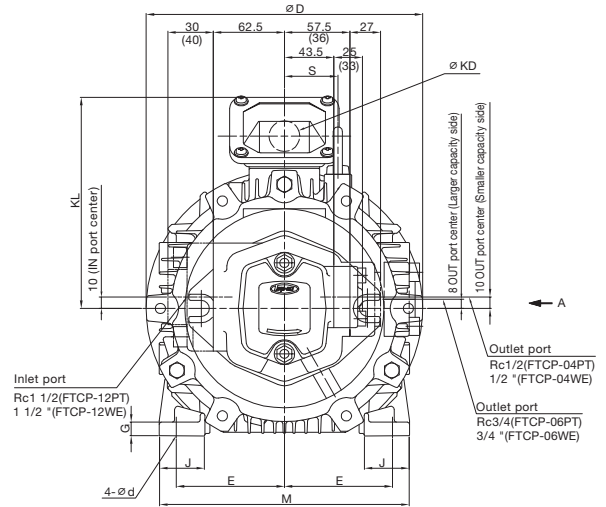
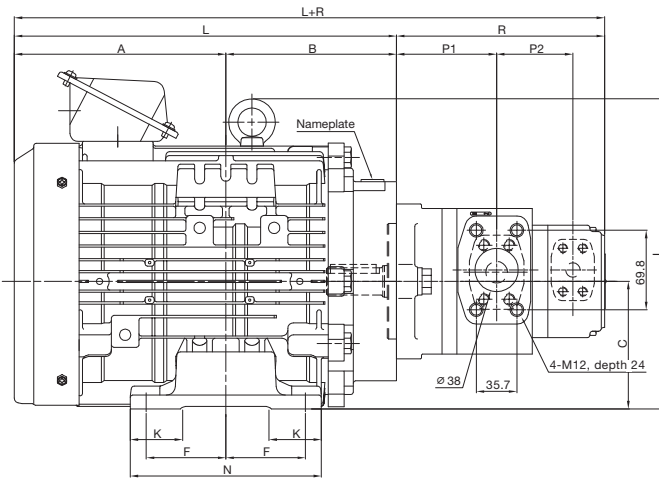


Pump capacity (cm ³ /rev)	P1	P2	R	Mass (kg)
5-5	68	58	156	4.4
5-6.3	70.5		158.5	4.5
5-8	74		162	4.6
5-10	78		166	4.8
6.3-6.3	70.5	60.5	161	4.6
6.3-8	74		164.5	4.7
6.3-10	78		168.5	4.9
8-8	74	64	168	4.8
8-10	78		172	5
10-10	78	68	176	5.2

Model	A	B	C	D	E	F	G	H	I	J	K	L	M	N	KD	KL	d (Slot)	S	Motor weight (kg)
HBPB-3C4-TCP22-*-R-B	154.5	135.5	90	202	70	62.5	10	191	-	40	40	290	176	149	27	167.5	10x12	-	24
HBPB-3D4-TCP22-*-R-B	178	150	100	202	80	70	12	-	240.5	40	46	328	200	168	27	167.5	12x14	37.5	32
HBPB-3E4-TCP22-*-R-B	186	150	112	243	95	70	12	-	271.5	40	44	336	220	168	27	186.5	12x14	47	42
HBPB-3F4-TCP22-*-R-B	210.5	160	132	285	108	70	15	-	323	50	50	370.5	260	175	49	263	12x14	56.5	65

■ Outside dimensions (Gear pump)

HBPG-3*4-TCP23-*R-B



(Note) Parentheses in the outside dimensions indicate the dimension for use of welding flange. Unless the parentheses are shown, it indicates the dimensions for use of Rc thread flange.

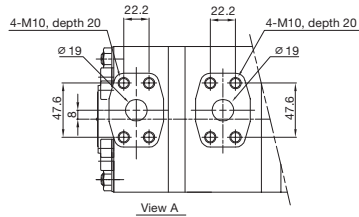
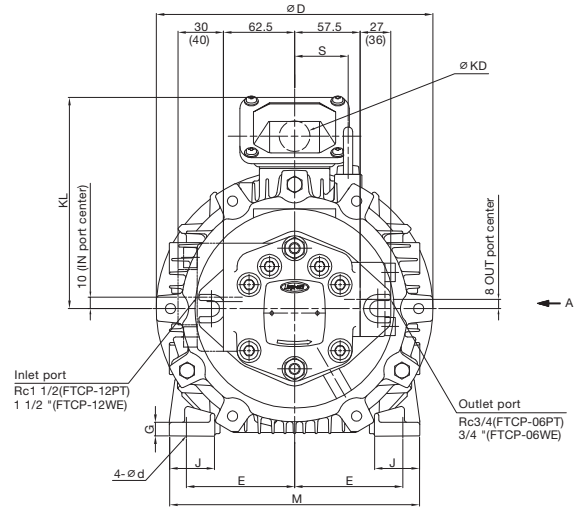
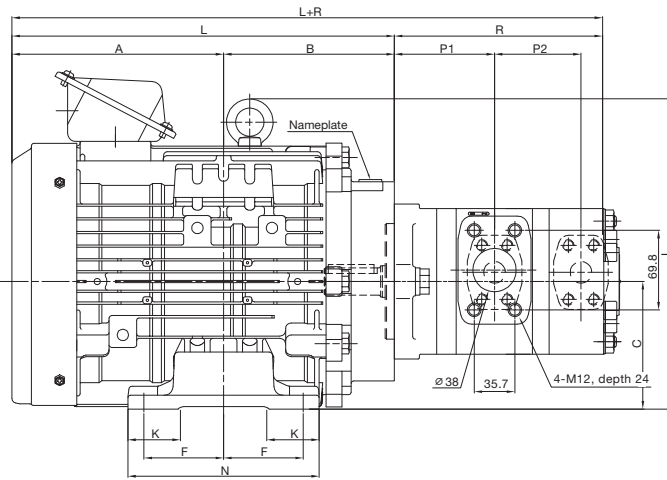
● For pipe flange dimensions, refer to A-31 page.

Pump capacity (cm ³ /rev)	P1	P2	R	Mass (kg)
5-12.5	88	67	183	7.5
5-16	91.5		186.5	7.8
5-20	96		191	8.1
5-25	101		196	8.5
6.3-12.5	88	69.5	185.5	7.6
6.3-16	91.5		189	7.9
6.3-20	96		193.5	8.2
6.3-25	101		198.5	8.6
8-12.5	88	73	189	7.7
8-16	91.5		192.5	8
8-20	96		197	8.3
8-25	101		202	8.7
10-12.5	88	77	193	7.9
10-16	91.5		196.5	8.2
10-20	96		201	8.5
10-25	101		206	8.9

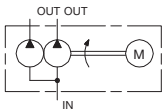
Model	A	B	C	D	E	F	G	I	J	K	L	M	N	KD	KL	d (Slot)	S	Motor weight (kg)
HBPG-3E4-TCP23-*R-B	186	150	112	243	95	70	12	271.5	40	44	336	220	168	27	186.5	12×14	47	42
HBPG-3F4-TCP23-*R-B	210.5	170	132	285	108	70	15	323	50	50	380.5	260	175	49	263	12×14	56.5	65

Outside dimensions (Gear pump)

HBPG-3*4-TCP33-*R-B



Pump capacity (cm ³ /rev)	P1	P2	R	Mass (kg)
12.5-12.5	88	76	197.5	8.7
12.5-16	91.5		201	9
12.5-20	96		205.5	9.3
12.5-25	101		210.5	9.7
16-16	91.5	79.5	204.5	9.3
16-20	96		209	9.6
16-25	101		214	10
20-20	96	84	213.5	9.9
20-25	101		218.5	10.3
25-25	101		89	223.5



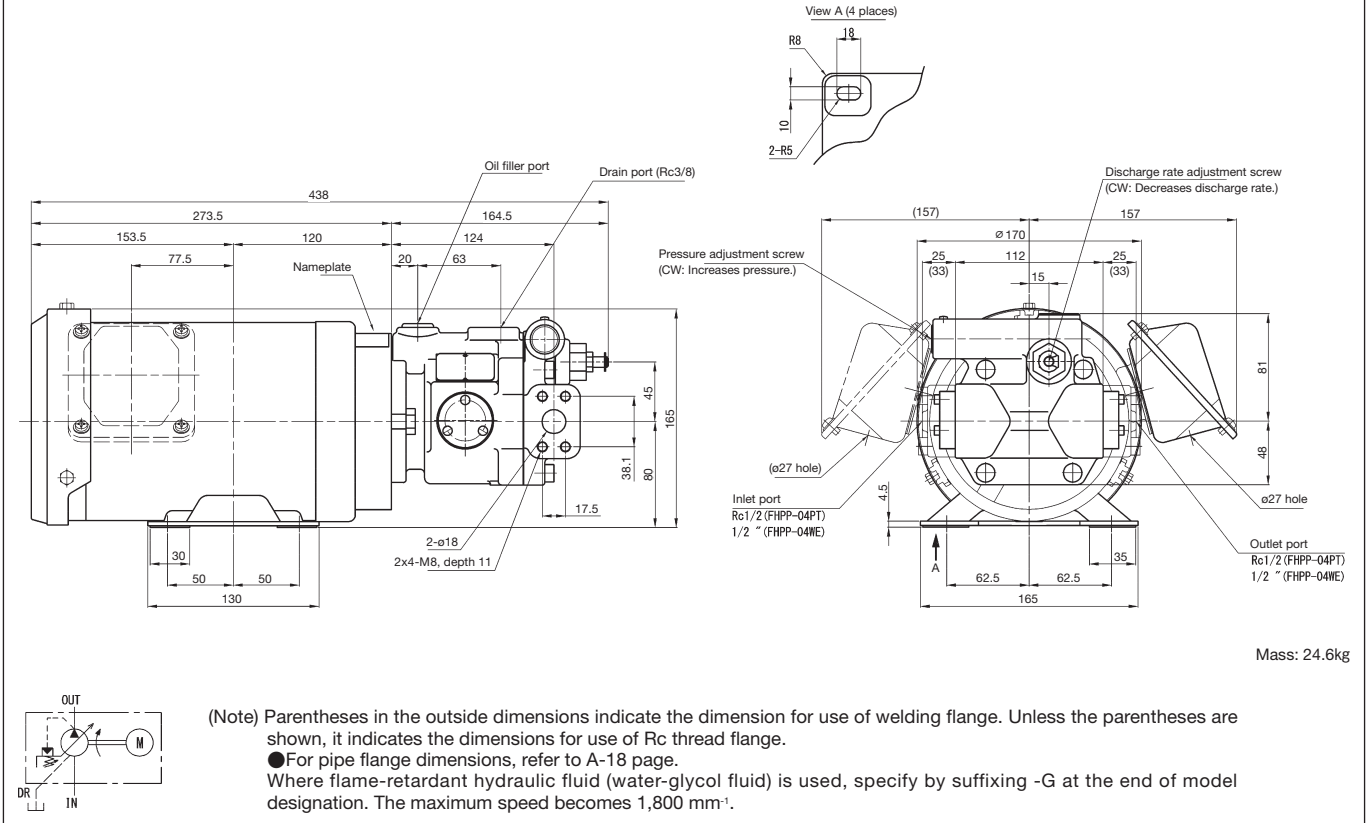
(Note) Parentheses in the outside dimensions indicate the dimension for use of welding flange. Unless the parentheses are shown, it indicates the dimensions for use of Rc thread flange.

● For pipe flange dimensions, refer to A-31 page.

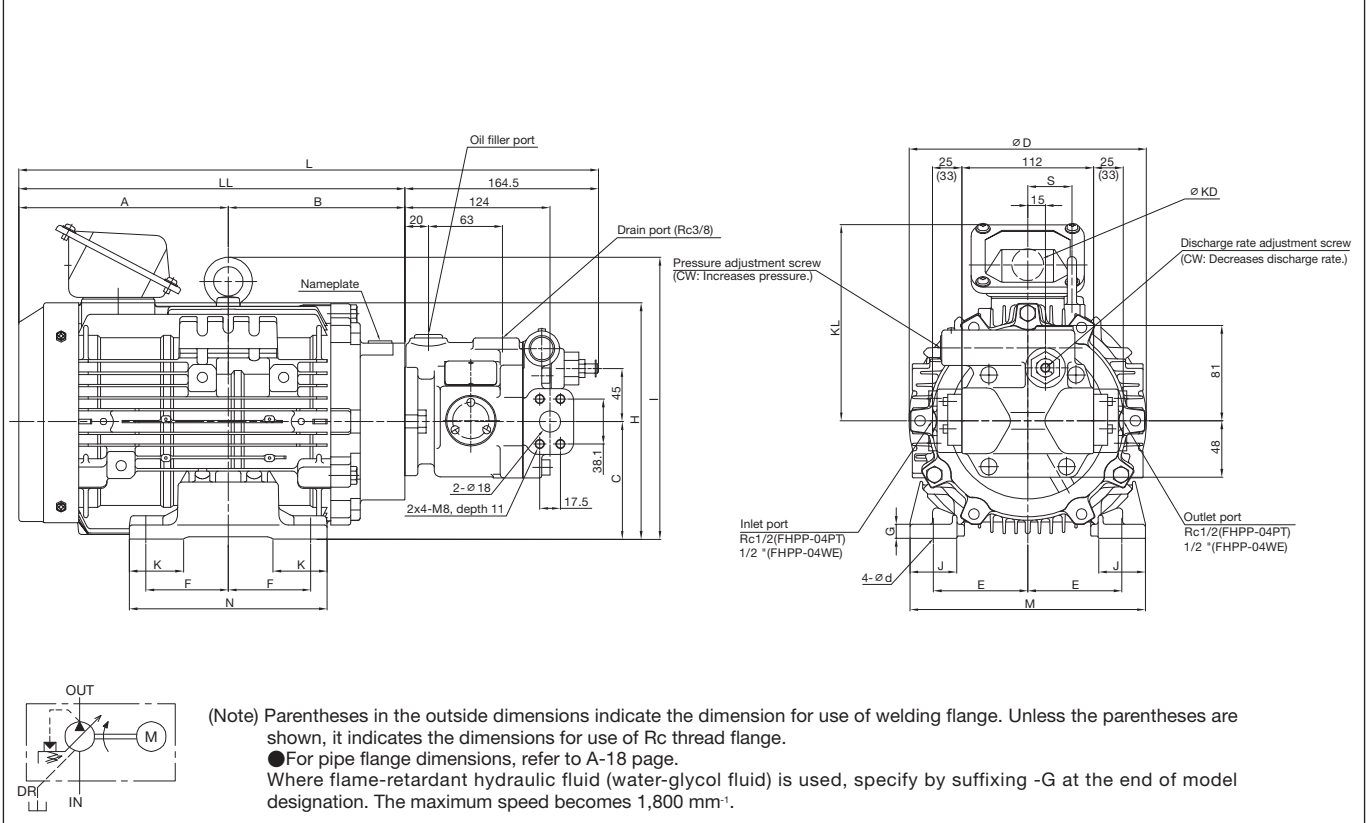
Model	A	B	C	D	E	F	G	I	J	K	L	M	N	KD	KL	d (Slot)	S	Motor weight (kg)
HBPG-3E4-TCP33-*R-B	186	150	112	243	95	70	12	271.5	40	44	336	220	168	27	186.5	12×14	47	42
HBPG-3F4-TCP33-*R-B	210.5	170	132	285	108	70	15	323	50	50	380.5	260	175	49	263	12×14	56.5	65

■ Outside dimensions (Piston pump)

HBPP-3B4*-VB2V-8A*-B(-G) (Side port type)



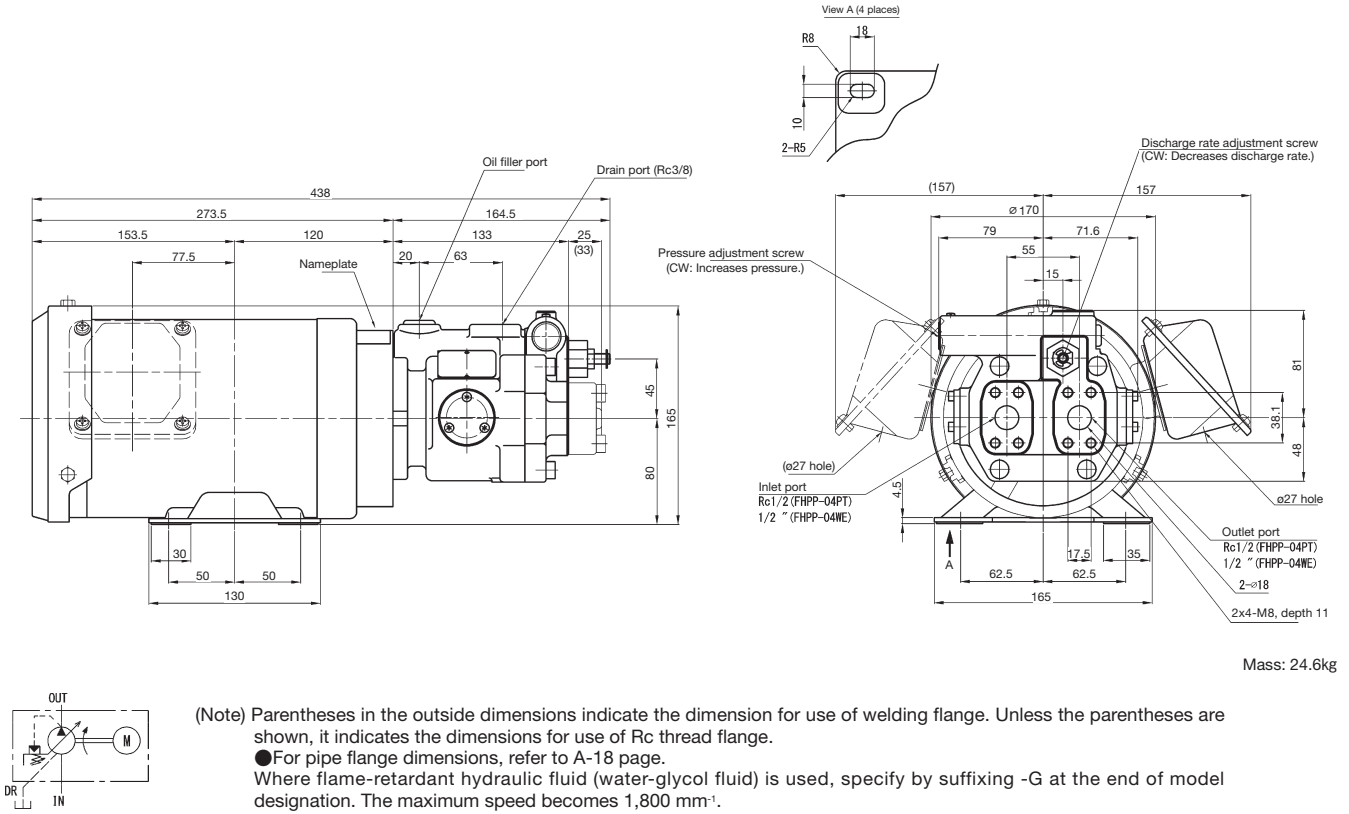
HBPP-3*4-VB2V-8A*-B(-G) (Side port type)



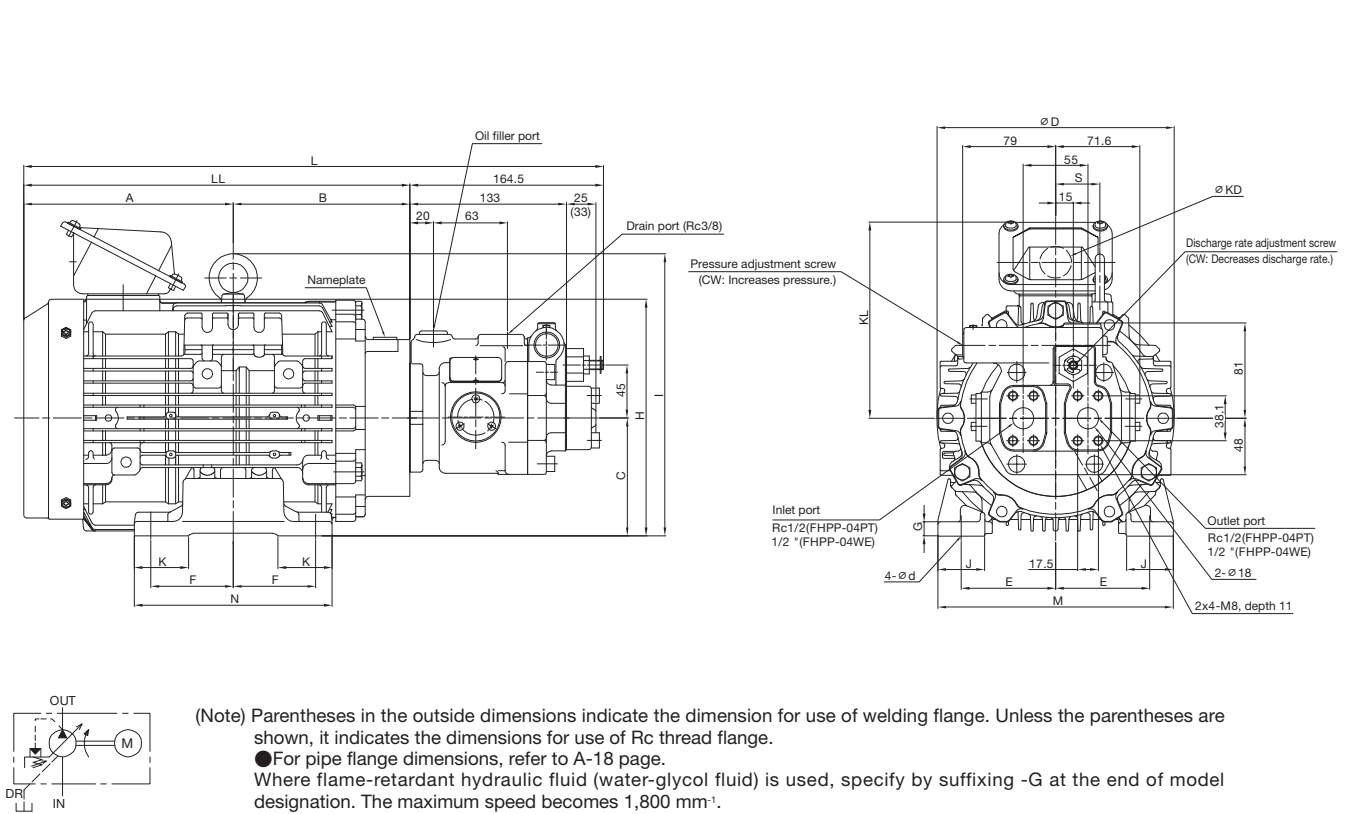
Model	A	B	C	D	E	F	G	H	I	J	K	L	LL	M	N	KD	KL	d (Slot)	S	Mass (kg)
HBPP-3C4-VB2V-8A*-B(-G)	154.5	135.5	90	202	70	62.5	10	191	-	40	40	454.5	290	176	149	27	167.5	10x12	-	31.1
HBPP-3D4-VB2V-8A*-B(-G)	178	150	100	202	80	70	12	-	240.5	40	46	492.5	328	200	168	27	167.5	12x14	37.5	39.1

■ Outside dimensions (Vane pump)

HBPP-3B4*-VB2V-8A*-EE-B (-G) (Axial port type)



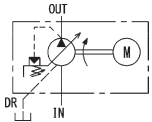
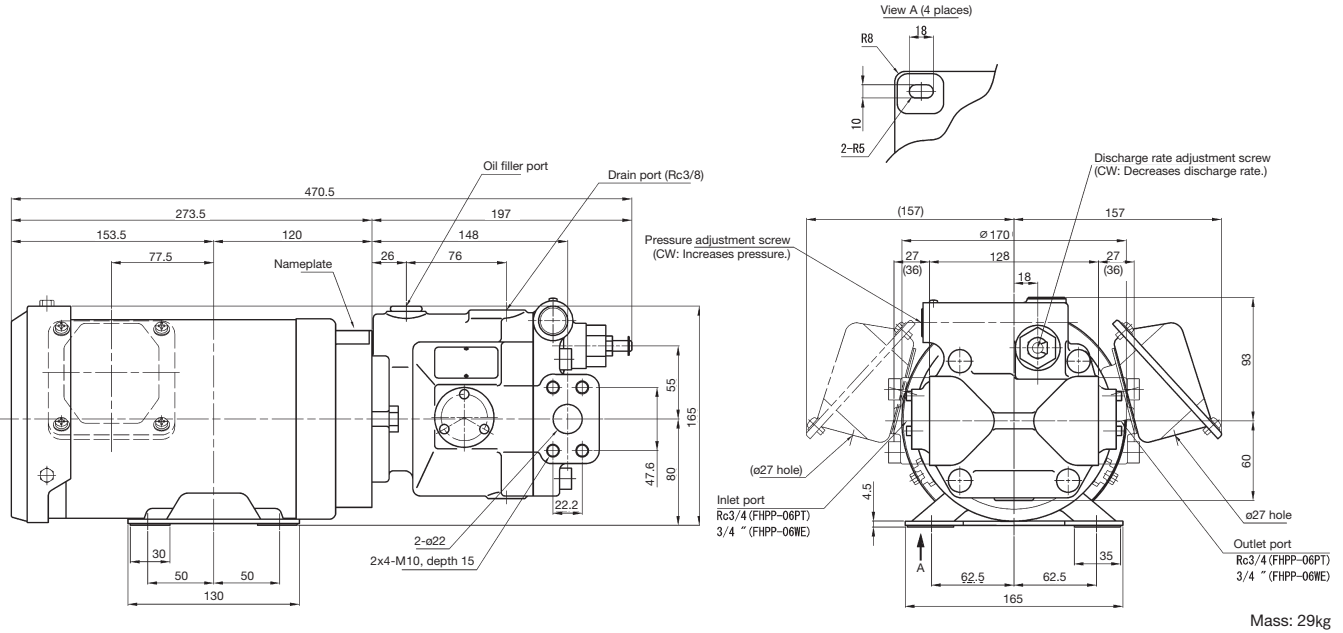
HBPP-3*4-VB2V-8A*-EE-B (-G) (Axial port type)



Model	A	B	C	D	E	F	G	H	I	J	K	L	LL	M	N	KD	KL	d (Slot)	S	Mass (kg)
HBPP-3C4-VB2V-8A*-EE-B (-G)	154.5	135.5	90	202	70	62.5	10	191	-	40	40	454.5	290	176	149	27	167.5	10x12	-	31.1
HBPP-3D4-VB2V-8A*-EE-B (-G)	178	150	100	202	80	70	12	-	240.5	40	46	492.5	328	200	168	27	167.5	12x14	37.5	39.1

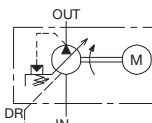
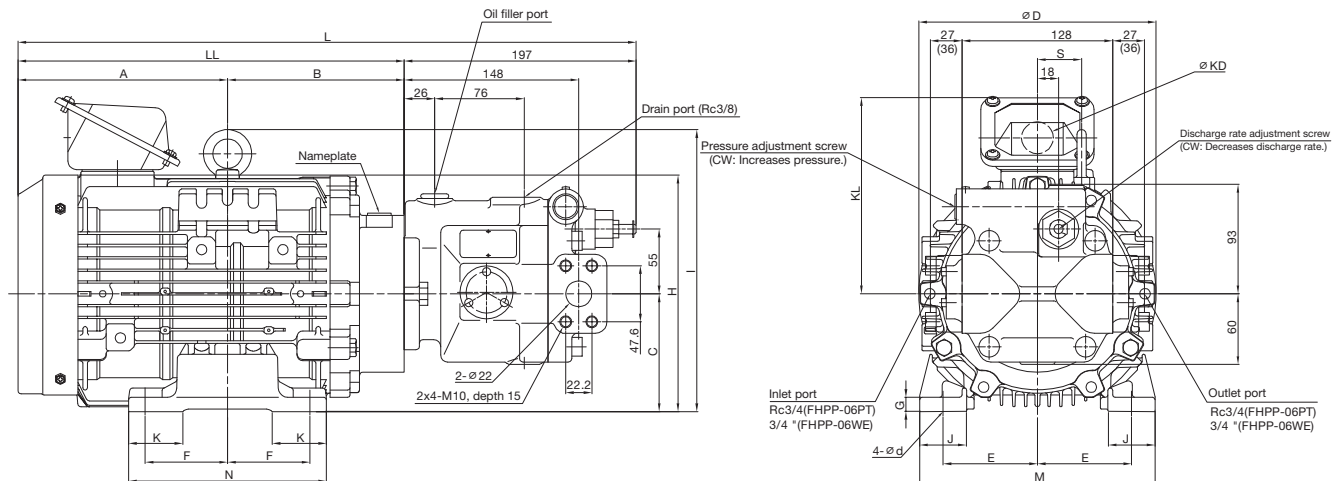
■ Outside dimensions (Vane pump)

HBPP-3B4*-VC2V-14A*-B(-G) (Side port type)



(Note) Parentheses in the outside dimensions indicate the dimension for use of welding flange. Unless the parentheses are shown, it indicates the dimensions for use of Rc thread flange.
 ● For pipe flange dimensions, refer to A-20 page.
 Where flame-retardant hydraulic fluid (water-glycol fluid) is used, specify by suffixing -G at the end of model designation. The maximum speed becomes 1,800 mm⁻¹.

HBPP-3*4-VC2V-14A*-B(-G) (Side port type)

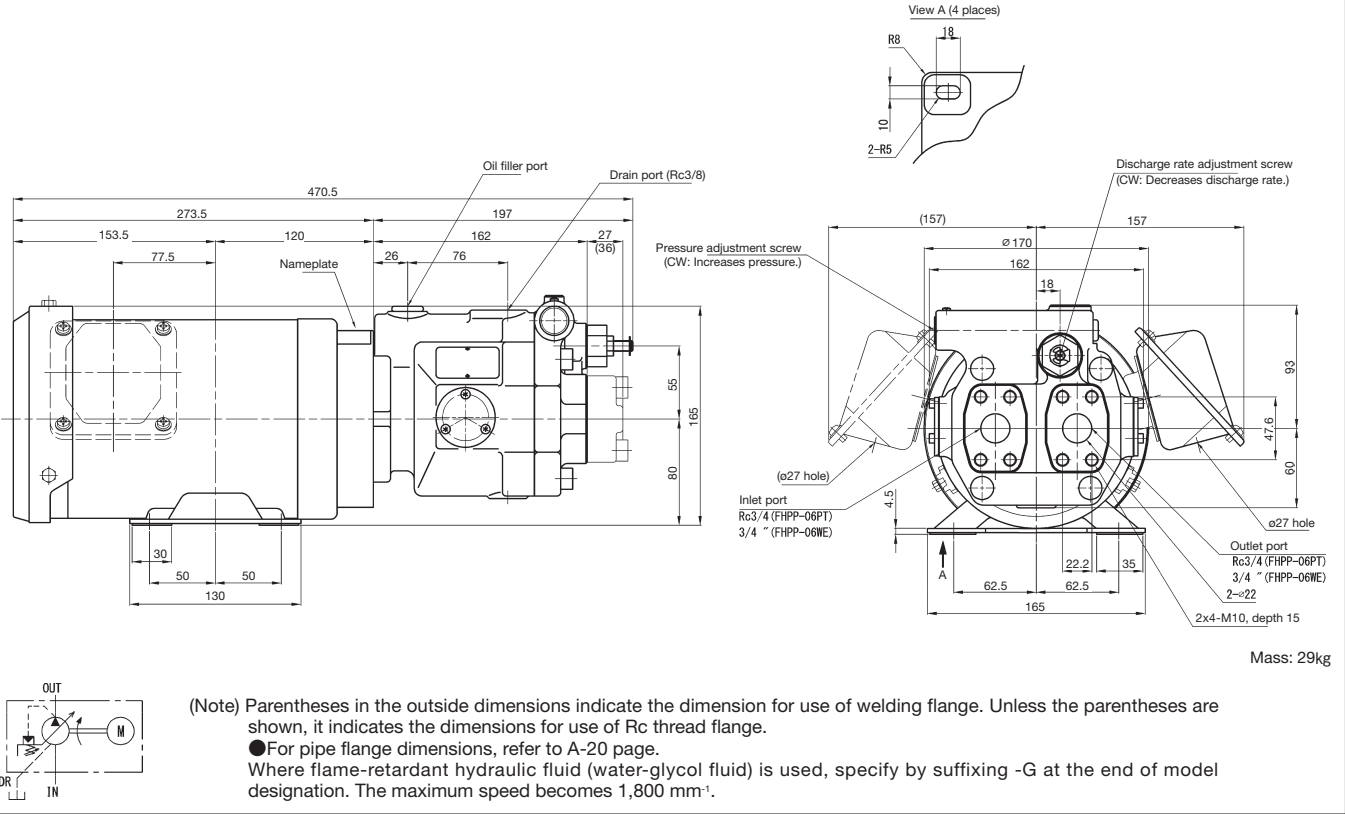


(Note) Parentheses in the outside dimensions indicate the dimension for use of welding flange. Unless the parentheses are shown, it indicates the dimensions for use of Rc thread flange.
 ● For pipe flange dimensions, refer to A-20 page.
 Where flame-retardant hydraulic fluid (water-glycol fluid) is used, specify by suffixing -G at the end of model designation. The maximum speed becomes 1,800 mm⁻¹.

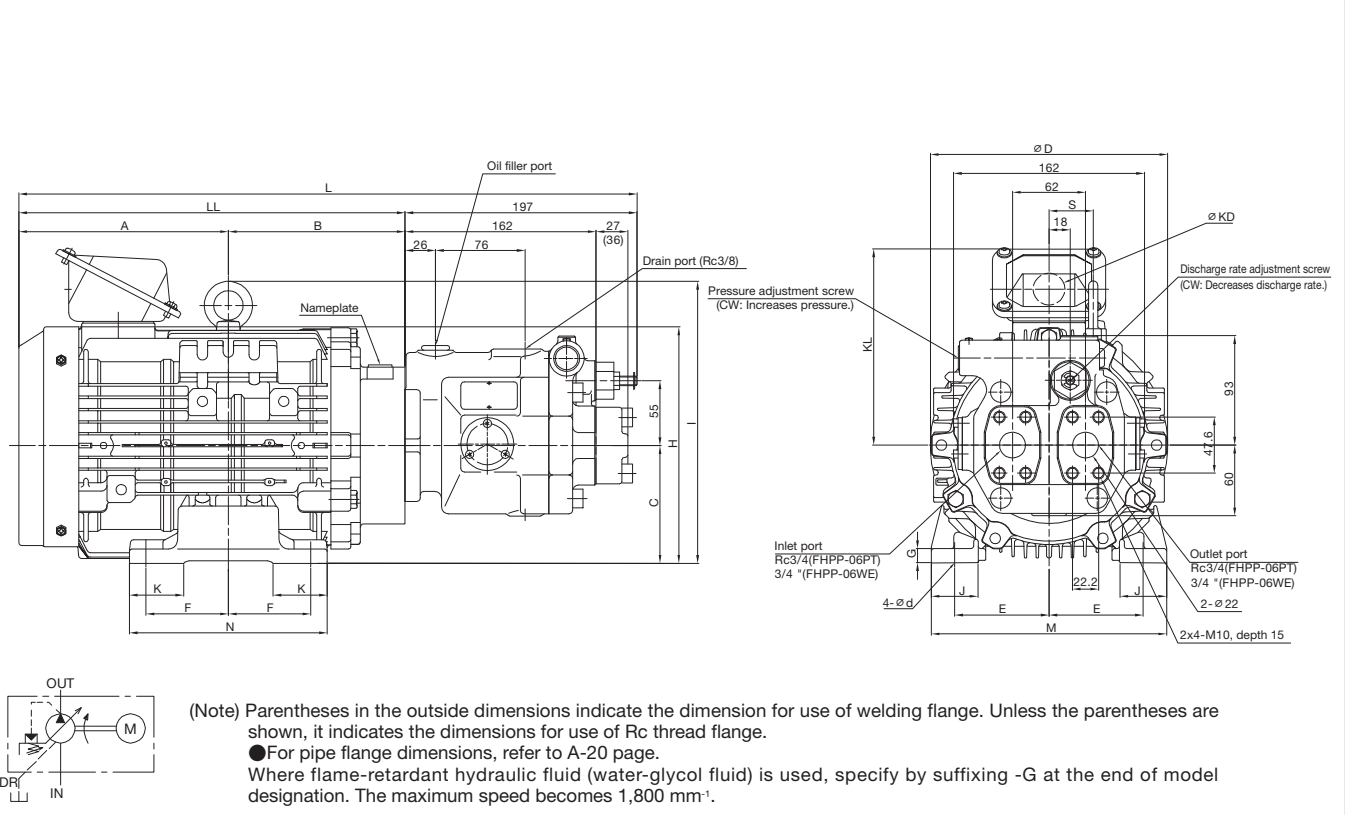
Model	A	B	C	D	E	F	G	H	I	J	K	L	LL	M	N	KD	KL	d (Slot)	S	Mass (kg)
HBPP-3C4-VC2V-14A*-B(-G)	154.5	135.5	90	202	70	62.5	10	191	-	40	40	487	290	176	149	27	167.5	10×12	-	35.5
HBPP-3D4-VC2V-14A*-B(-G)	178	150	100	202	80	70	12	-	240.5	40	46	525	328	200	168	27	167.5	12×14	37.5	43.5
HBPP-3E4-VC2V-14A*-B(-G)	186	150	112	243	95	70	12	-	271.5	40	44	533	336	220	168	27	186.5	12×14	47	53.5
HBPP-3F4-VC2V-14A*-B(-G)	210.5	160	132	285	108	70	15	-	323	50	50	567.5	370.5	260	175	49	263	12×14	56.5	76.5
HBPP-3G4-VC2V-14A*-B(-G)	229.5	179	132	285	108	89	15	-	323	50	50	605.5	408.5	260	213	49	263	12×14	56.5	87.5

■ Outside dimensions (Vane pump)

HBPP-3B4*-VC2V-14A*-EE-B(-G) (Axial port type)



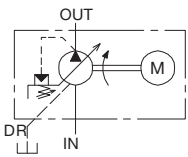
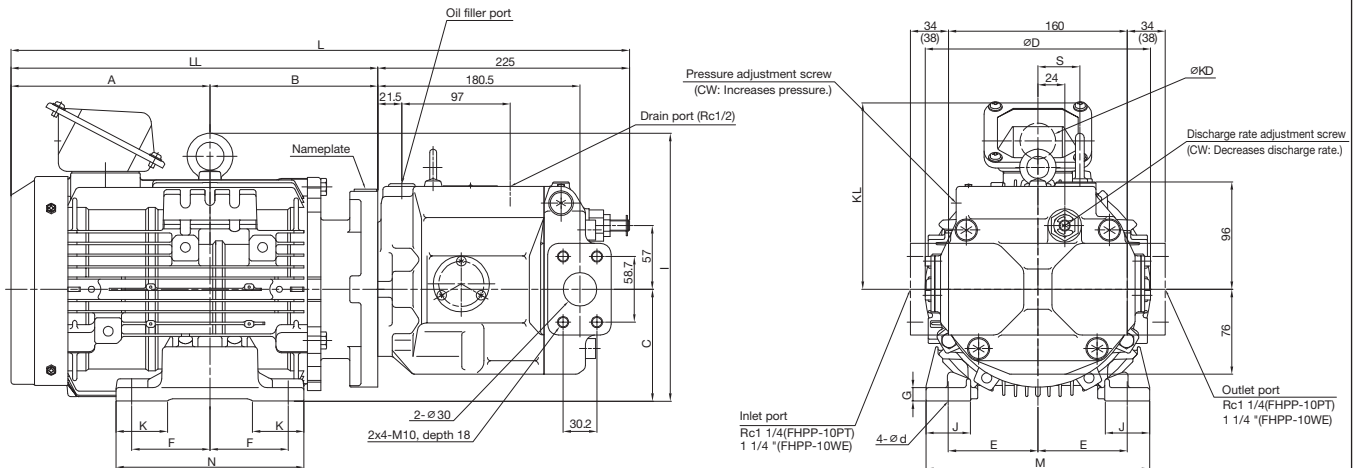
HBPP-3*4-VC2V-14A*-EE-B(-G) (Axial port type)



Model	A	B	C	D	E	F	G	H	I	J	K	L	LL	M	N	KD	KL	d (Slot)	S	Mass (kg)
HBPP-3C4-VC2V-14A*-EE-B(-G)	154.5	135.5	90	202	70	62.5	10	191	-	40	40	487	290	176	149	27	167.5	10×12	-	35.5
HBPP-3D4-VC2V-14A*-EE-B(-G)	178	150	100	202	80	70	12	-	240.5	40	46	525	328	200	168	27	167.5	12×14	37.5	43.5
HBPP-3E4-VC2V-14A*-EE-B(-G)	186	150	112	243	95	70	12	-	271.5	40	44	533	336	220	168	27	186.5	12×14	47	53.5
HBPP-3F4-VC2V-14A*-EE-B(-G)	210.5	160	132	285	108	70	15	-	323	50	50	567.5	370.5	260	175	49	263	12×14	56.5	76.5
HBPP-3G4-VC2V-14A*-EE-B(-G)	229.5	179	132	285	108	89	15	-	323	50	50	605.5	408.5	260	213	49	263	12×14	56.5	87.5

■ Outside dimensions (Piston pump)

HBPP-3*4-VD2V-31A*-B(-G) (Side port type)



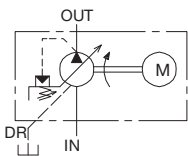
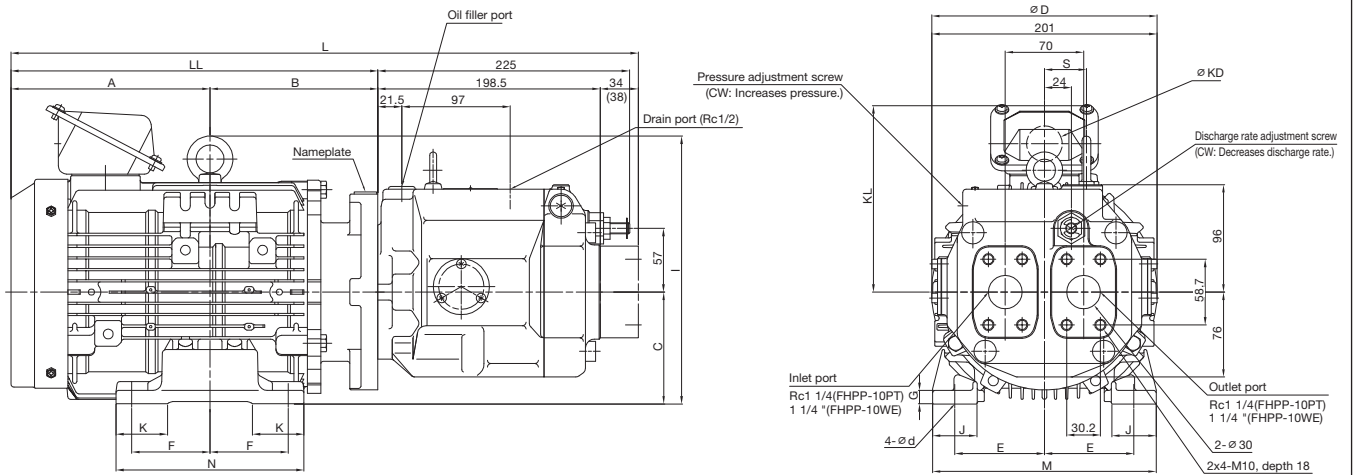
(Note) Parentheses in the outside dimensions indicate the dimension for use of welding flange. Unless the parentheses are shown, it indicates the dimensions for use of Rc thread flange.

● For pipe flange dimensions, refer to A-22 page.

Where flame-retardant hydraulic fluid (water-glycol fluid) is used, specify by suffixing -G at the end of model designation. The maximum speed becomes 1,800 mm⁻¹.

Model	A	B	C	D	E	F	G	I	J	K	L	LL	M	N	KD	KL	d(Slot)	S	Mass (kg)
HBPP-3D4-VD2V-31A*-B(-G)	178	150	100	202	80	70	12	240.5	40	46	553	328	200	168	27	167.5	12×14	37.5	54.5
HBPP-3E4-VD2V-31A*-B(-G)	186	150	112	243	95	70	12	271.5	40	44	561	336	220	168	27	186.5	12×14	47	64.5
HBPP-3F4-VD2V-31A*-B(-G)	210.5	170	132	285	108	70	15	323	50	50	605.5	380.5	260	175	49	263	12×14	56.5	92.5
HBPP-3G4-VD2V-31A*-B(-G)	229.5	189	132	285	108	89	15	323	50	50	643.5	418.5	260	213	49	263	12×14	56.5	98.5

HBPP-3*4-VD2V-31A*-EE-B(-G) (Axial port type)



(Note) Parentheses in the outside dimensions indicate the dimension for use of welding flange. Unless the parentheses are shown, it indicates the dimensions for use of Rc thread flange.

● For pipe flange dimensions, refer to A-22 page.

Where flame-retardant hydraulic fluid (water-glycol fluid) is used, specify by suffixing -G at the end of model designation. The maximum speed becomes 1,800 mm⁻¹.

Model	A	B	C	D	E	F	G	I	J	K	L	LL	M	N	KD	KL	d(Slot)	N	Mass (kg)
HBPP-3D4-VD2V-31A*-EE-B(-G)	178	150	100	202	80	70	12	240.5	40	46	560.5 (564.5)	328	200	168	27	167.5	12×14	37.5	54.5
HBPP-3E4-VD2V-31A*-EE-B(-G)	186	150	112	243	95	70	12	271.5	40	44	568.5 (572.5)	336	220	168	27	186.5	12×14	47	64.5
HBPP-3F4-VD2V-31A*-EE-B(-G)	210.5	170	132	285	108	70	15	323	50	50	613 (617)	380.5	260	175	49	263	12×14	56.5	92.5
HBPP-3G4-VD2V-31A*-EE-B(-G)	229.5	189	132	285	108	89	15	323	50	50	651 (655)	418.5	260	213	49	263	12×14	56.5	98.5