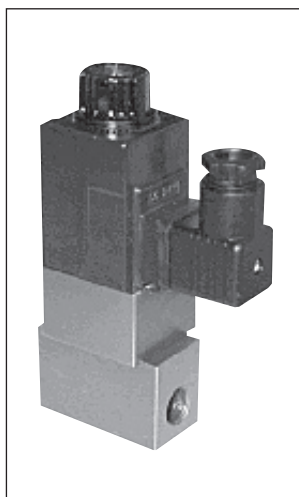
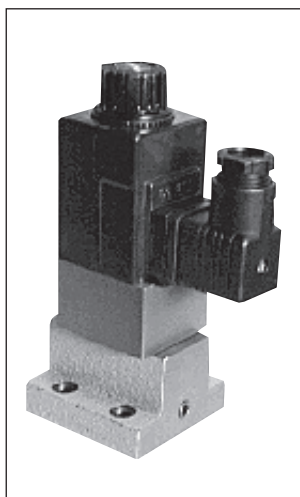


SOLENOID-OPERATED CHECK VALVE (HK2)



HK2-ST0-03B-A*



HK2-SG0-03B-A*

Features

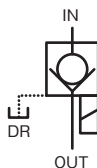
In the normal state this type of valve prevents the flow of pressurized fluid from a specified direction. However, it allows control of the direction of flow as needed by electric operation. This type of valve is mainly used for preventing a cylinder from falling under its own weight.

1. With the internal drain type, a back pressure of up to 14 MPa can be applied to the OUT port.
 2. Reverse flow from the OUT port to the IN port is possible, if energized on the external drain type.
 3. Continuous energization is possible with both AC and DC.
 4. External oil leakage is minimized by the adoption of an oil-immersed solenoid valve.
 5. A DIN connector is adopted to facilitate wiring work.
 6. Water-proofing and corrosion resistance are improved.
- The switching frequency must be within 1 time/sec.
 - Maintain voltage range within $\pm 10\%$ of the rated voltage.
 - Since the cracking pressure of the check valve is 0.3 MPa, the fluid pressure must always be higher than this value. (Fluid temperature: 20°C or higher, equivalent to ISO VG32)

Internal drain type

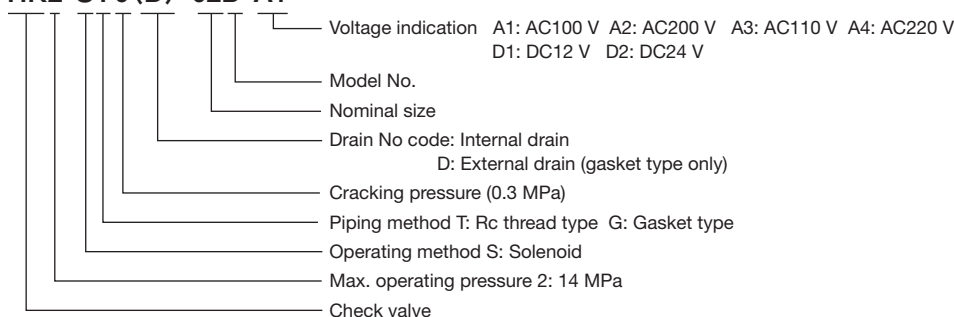


External drain type



Description of the model designation

HK2-ST0 (D) -02B-A1



Specifications

Nominal Size	Rated Flow (L/min)	Max. Operating Pressure (MPa)	Permissible Back Pressure at OUT Port (MPa)	Model		
				Internal drain Type		External drain Type
				Thread-connection Type	Gasket-connection Type	Gasket-connection Type
02	20	14	14	HK2-ST0-02B-**	—————	—————
03	30			HK2-ST0-03B-**	HK2-SG0-03B-**	HK2-SG0D-03B-**

Solenoid characteristics

AC

Model	M01-AC100-D-TK		M01-AC200-D-TK		M01-AC110-D-TK		M01-AC220-D-TK	
Rated Voltage (V)	AC100 50Hz	AC100 60Hz	AC200 50Hz	AC200 60Hz	AC110 50Hz	AC110 60Hz	AC220 50Hz	AC220 60Hz
Starting current (A)	2.66	2.35	1.33	1.18	2.42	2.14	1.21	1.07
Holding current (A)	0.58	0.43	0.29	0.22	0.53	0.39	0.26	0.20
Power consumption (W)	25.0	20.8	25.0	20.8	25.0	20.8	25.0	20.8

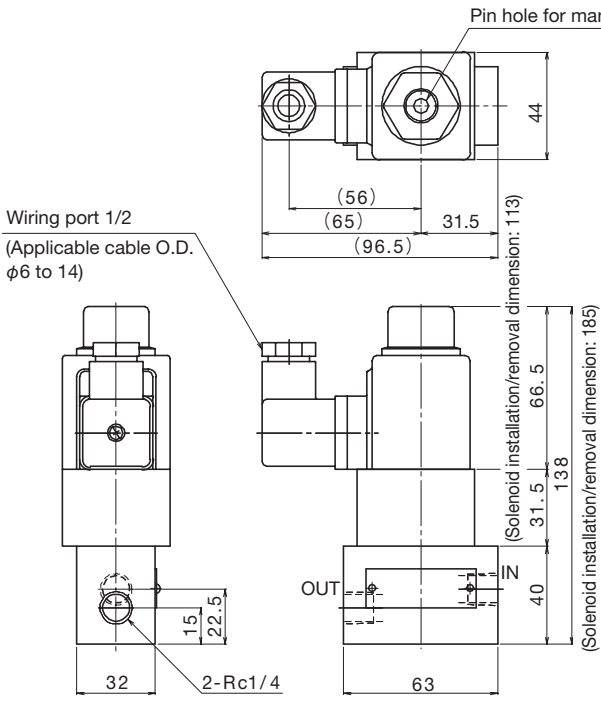
DC

Model	M01-DC12-D-TK	M01-DC24-D-TK
Rated Voltage (V)	DC12	DC24
Holding current (A)	2.35	1.22
Power consumption (W)	28.2	29.3

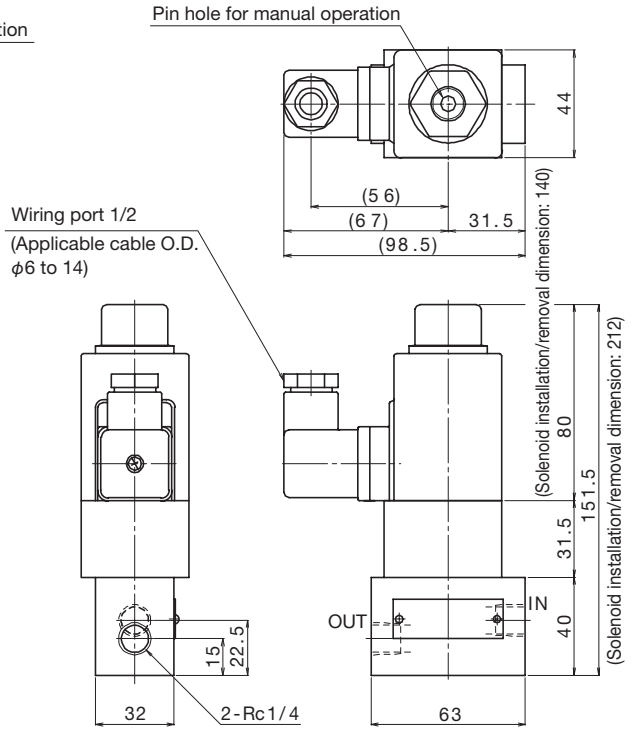
Outside dimensions

HK2-ST0-02B-A*

HK2-ST0-02B-D*



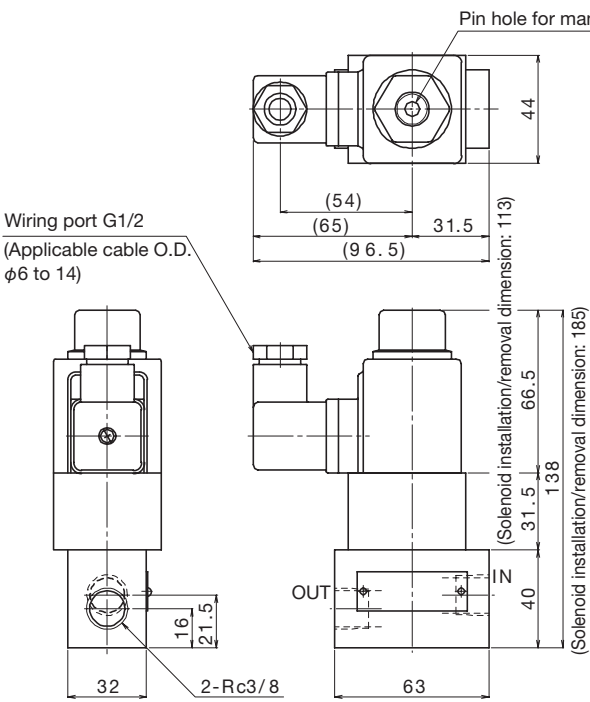
Mass: 1.3kg



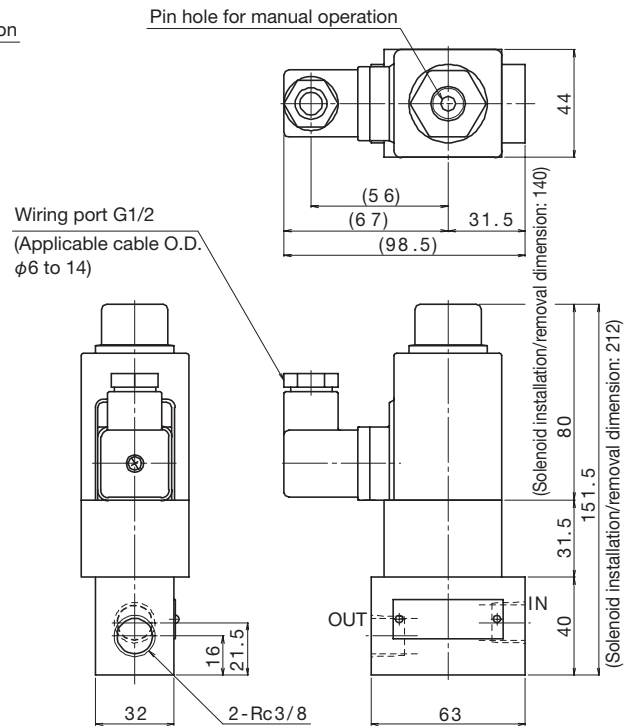
Mass: 1.6kg

HK2-ST0-03B-A*

HK2-ST0-03B-D*



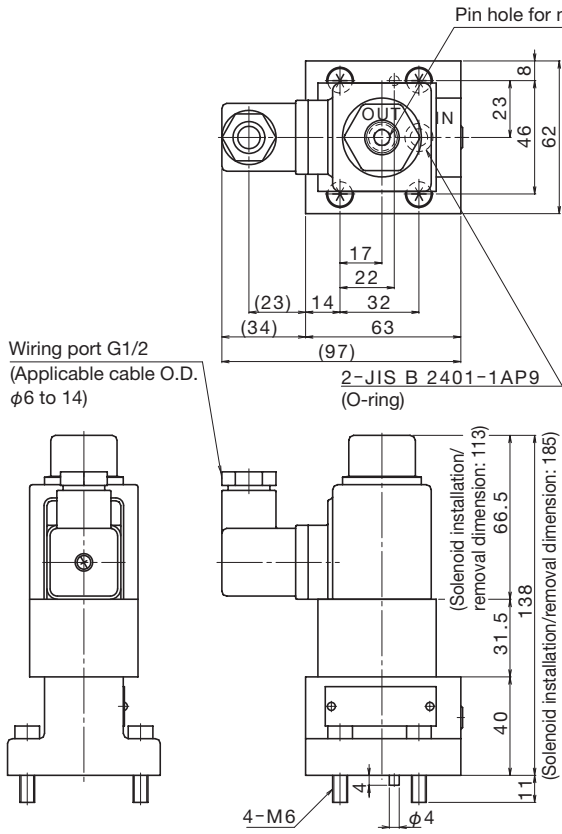
Mass: 1.3kg



Mass: 1.6kg

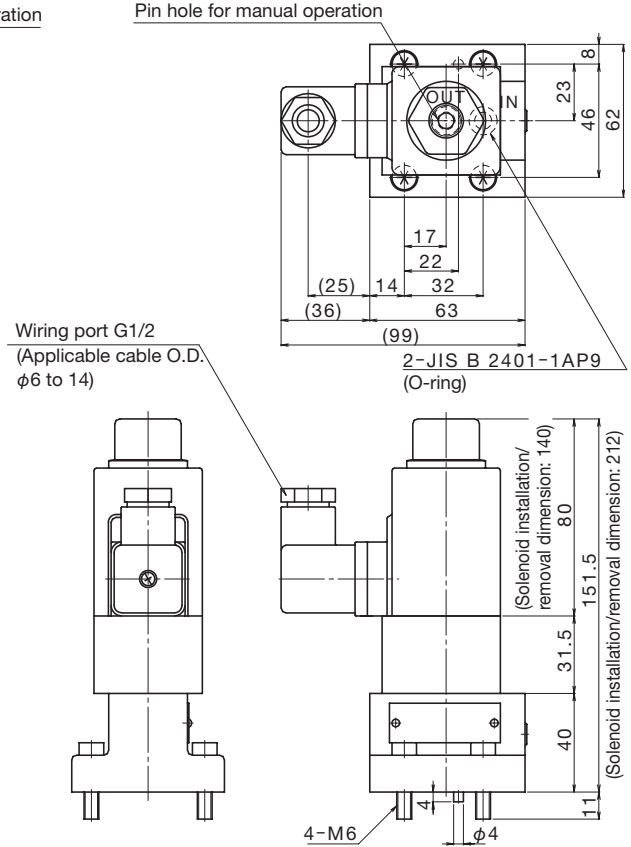
■ Outside dimensions

HK2-SG0-03B-A*



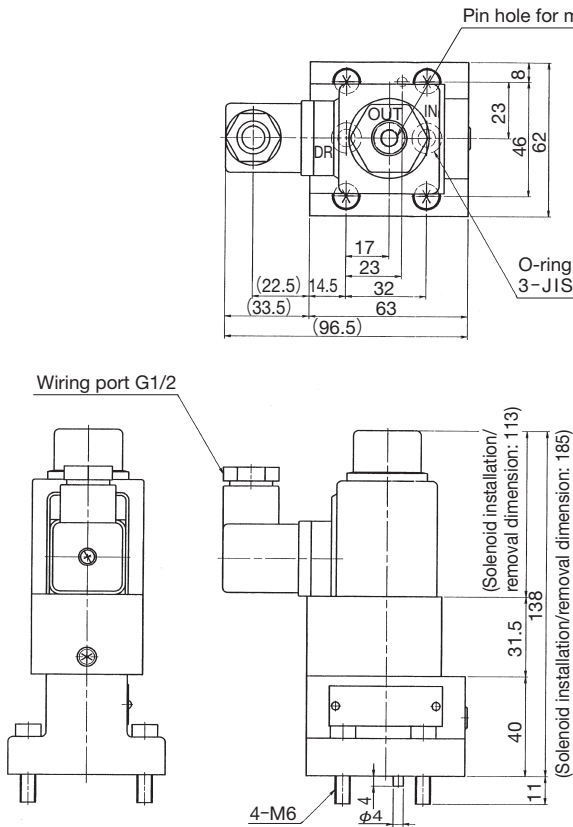
Mass: 1.5kg

HK2-SG0-03B-D*



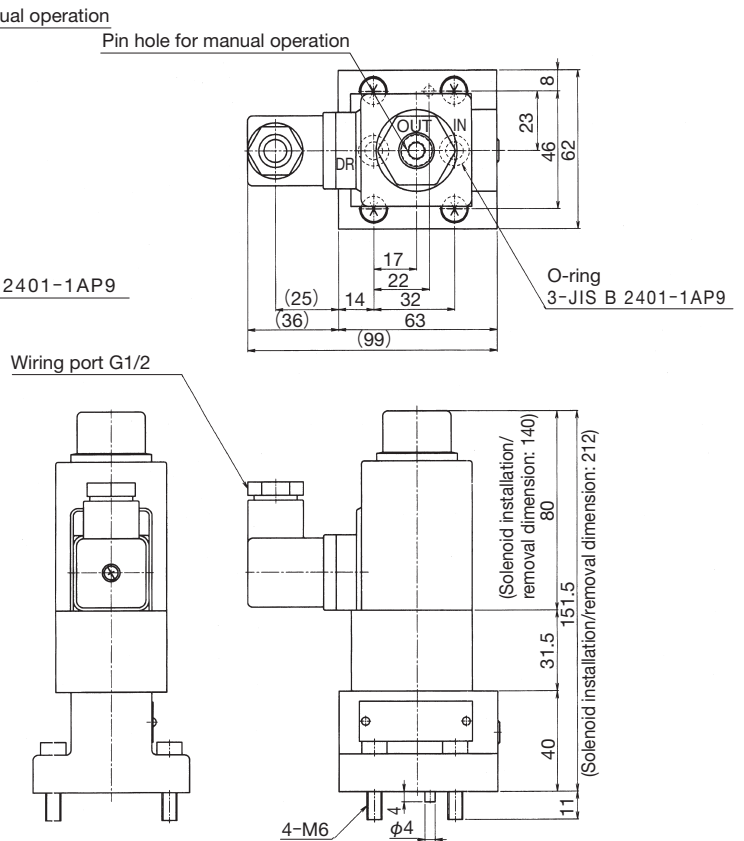
Mass: 1.8kg

HK2-SG0D-03B-A*



Mass: 1.5kg

HK2-SG0D-03B-D*



Mass: 1.8kg



■ Outside dimensions (Sub-plate)

SHK03-S-03T1

