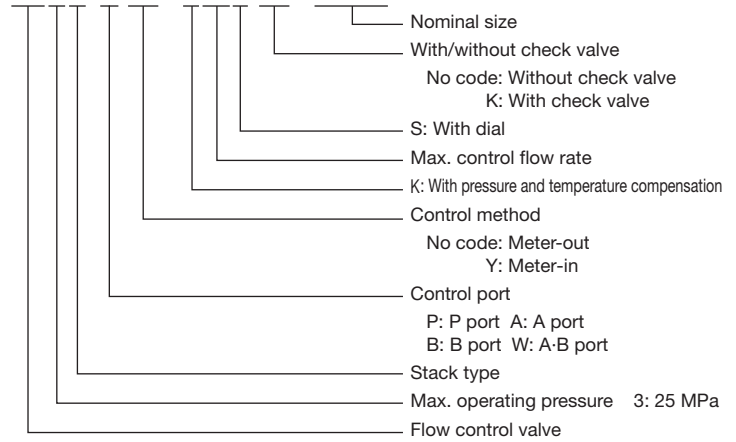


■ Description of the model designation

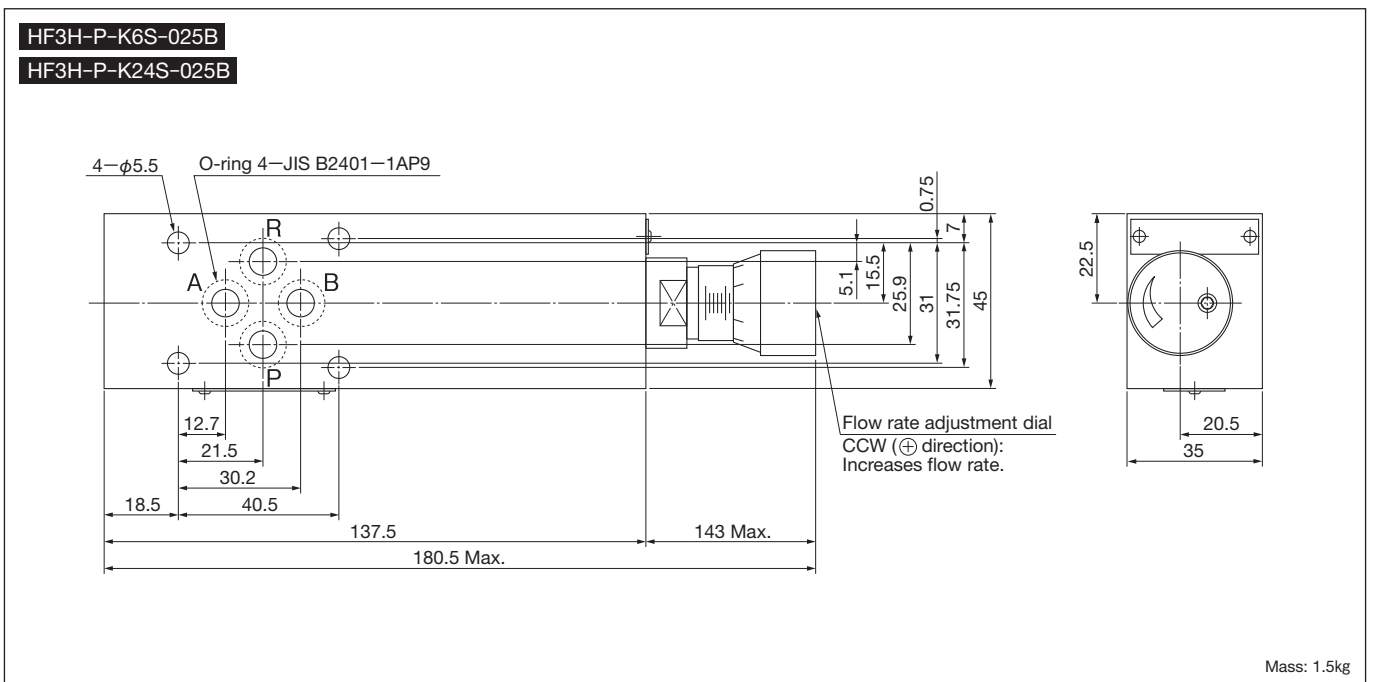
HF3H-A (Y)-K24S(K)-025B



■ Specifications

Control port	Type	Model	Max. operating pressure (MPa)	Flow rate adjustment range (L/min)	Check valve cracking pressure (MPa)	Symbol
P	—	HF3H-P-K6S-025B	25	0.3 to 6	0.04	
		HF3H-P-K24S-025B		0.3 to 24		
A	Meter-out	HF3H-A-K6SK-025B		0.3 to 6		
		HF3H-A-K24SK-025B		0.3 to 24		
	Meter-in	HF3H-AY-K6SK-025B		0.3 to 6		
		HF3H-AY-K24SK-025B		0.3 to 24		
B	Meter-out	HF3H-B-K6SK-025B		0.3 to 6		
		HF3H-B-K24SK-025B		0.3 to 24		
	Meter-in	HF3H-BY-K6SK-025B		0.3 to 6		
		HF3H-BY-K24SK-025B		0.3 to 24		
A·B	Meter-out	HF3H-W-K6SK-025B		0.3 to 6		
		HF3H-W-K24SK-025B		0.3 to 24		
	Meter-in	HF3H-WY-K6SK-025B	0.3 to 6			
		HF3H-WY-K24SK-025B	0.3 to 24			

■ Outside dimensions

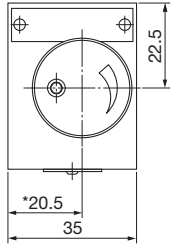


■ Outside dimensions

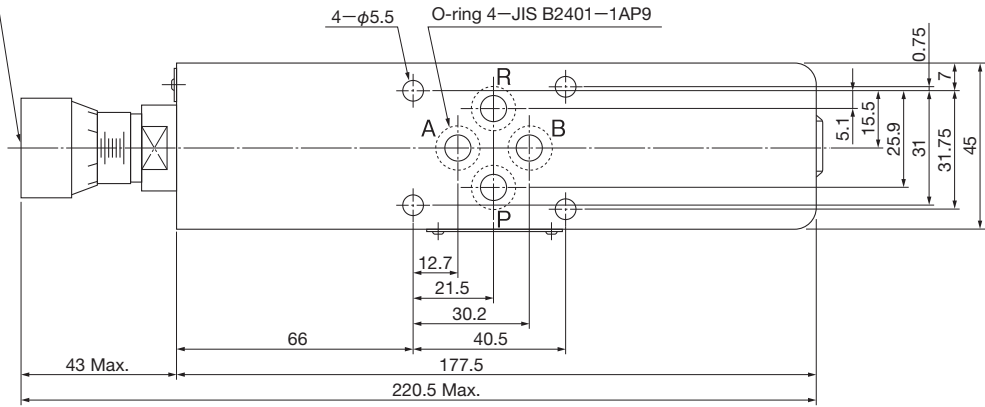
HF3H-A (Y) -K6SK-025B

HF3H-A (Y) -K24SK-025B

Flow rate adjustment dial
CCW (⊕ direction): Increases flow rate.



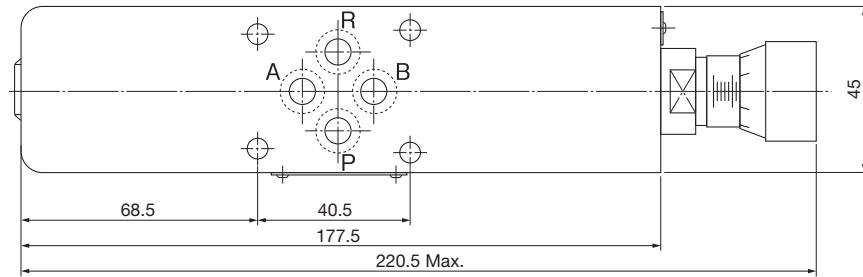
* 15 in the case with Y (meter-in)



Mass: 1.9kg

HF3H-B (Y) -K6SK-025B

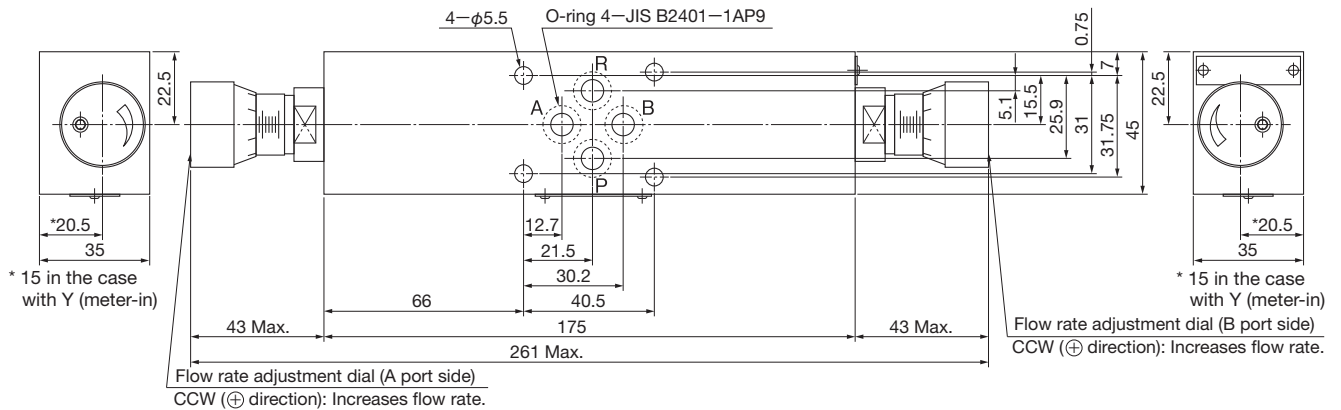
HF3H-B (Y) -K24SK-025B



Mass: 1.9kg

HF3H-W (Y) -K6SK-025B

HF3H-W (Y) -K24SK-025B



Mass: 1.96kg