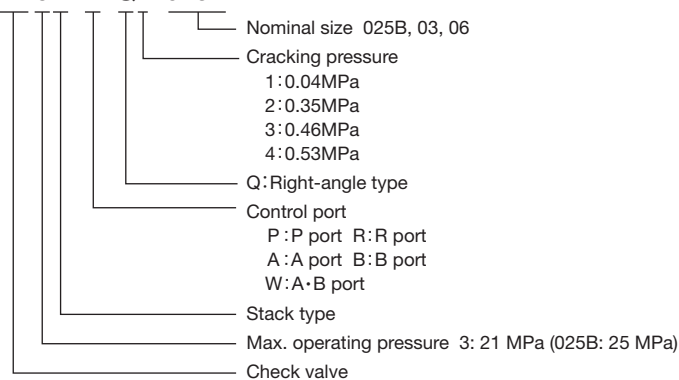




■Description of the model designation

HK3H-P-Q1-025B

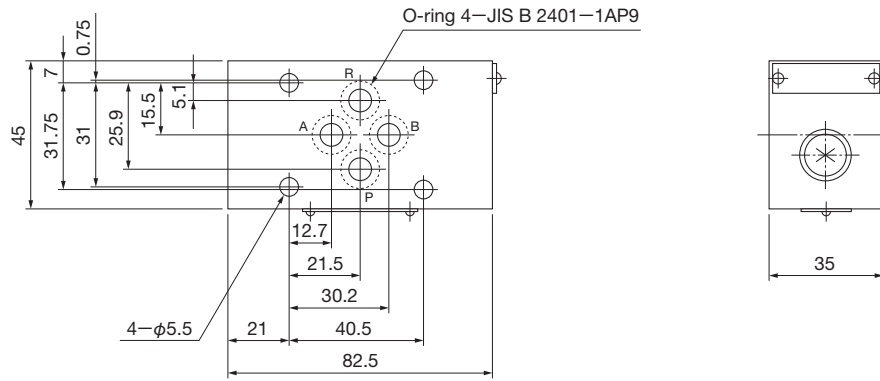


■Specifications

Control port	Model	Max. operating pressure (MPa)	Rated flow rate (L/min)	Max. flow rate (L/min)	Cracking pressure (MPa)	Symbol
P	HK3H-P-Q*-025B	25	20	40	* Symbol 1: 0.04 2: 0.35 3: 0.46 *4: 0.53	
	HK3H-P-Q*-03	21	40	80		
	HK3H-P-Q*-06		120	190		
R	HK3H-R-Q*-025B	25	20	40	(*Available only with size 025B)	
	HK3H-R-Q*-03	21	40	80		
	HK3H-R-Q*-06		120	190		
A	HK3H-A-Q*-025B	25	20	40	* Symbol 1: 0.04 2: 0.35 *3: 0.46 *4: 0.53	
	HK3H-A-Q*-03	21	40	80		
	HK3H-A-Q*-06		120	190		
B	HK3H-B-Q*-025B	25	20	40	(*Available only with size 025B)	
	HK3H-B-Q*-03	21	40	80		
	HK3H-B-Q*-06		120	190		
A·B	HK3H-W-Q*-025B	25	20	40	* Symbol 1: 0.04 2: 0.35 *3: 0.46 *4: 0.53	
	HK3H-W-Q*-03	21	40	80		
	HK3H-W-Q*-06		120	190		

■ Outside dimensions

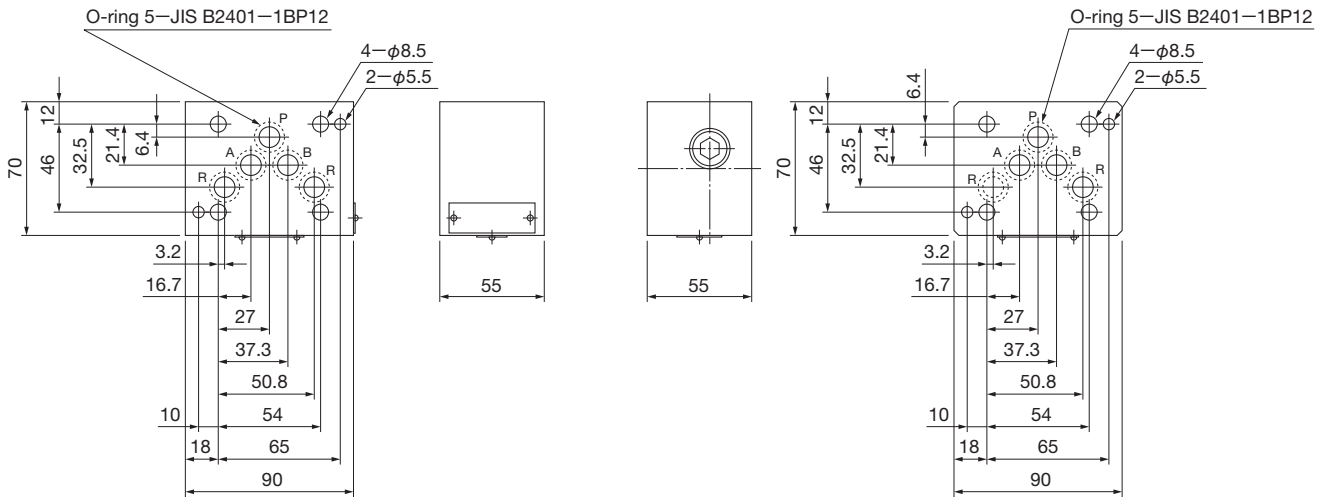
HK3H- $\frac{P}{R}$ -Q*-25B



Mass: 0.9kg

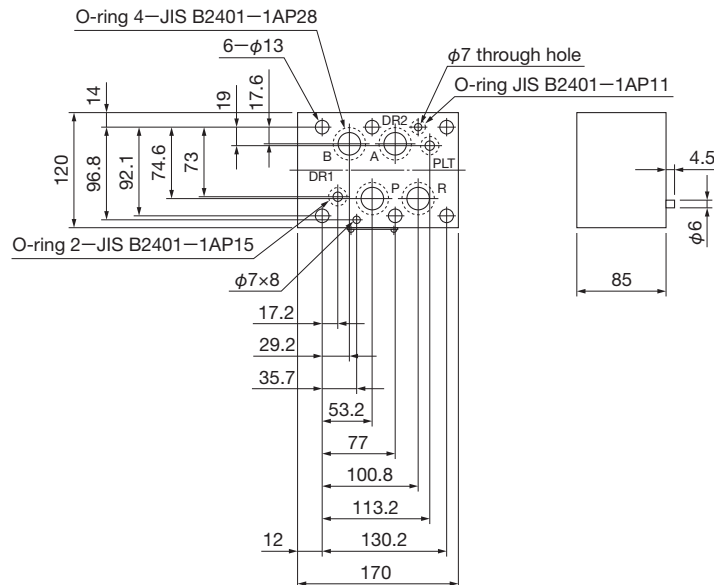
HK3H-P-Q*-03

HK3H-R-Q*-03



Mass: 2kg

HK3H- $\frac{P}{R}$ -Q*-06

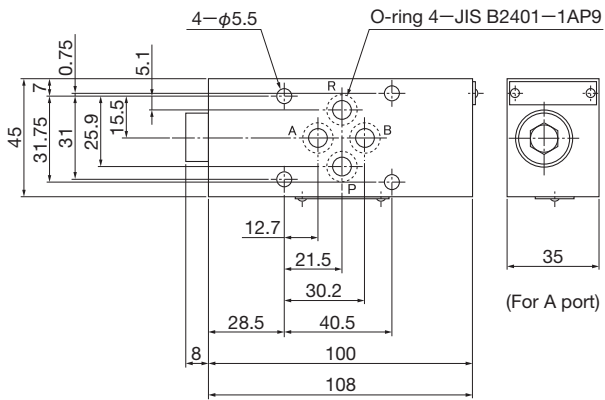


Mass: 10.3kg

Outside dimensions

HK3H-A-Q*-025B

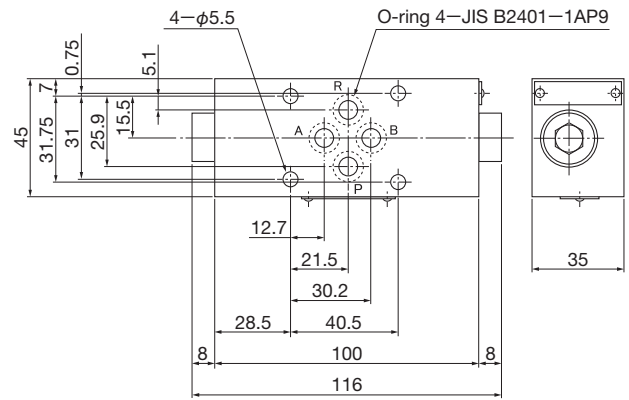
HK3H-B-Q*-025B



The plug is installed at right for the B port type.
The dimension is the same as the A port type.

Mass: 0.9kg

HK3H-W-Q*-025B

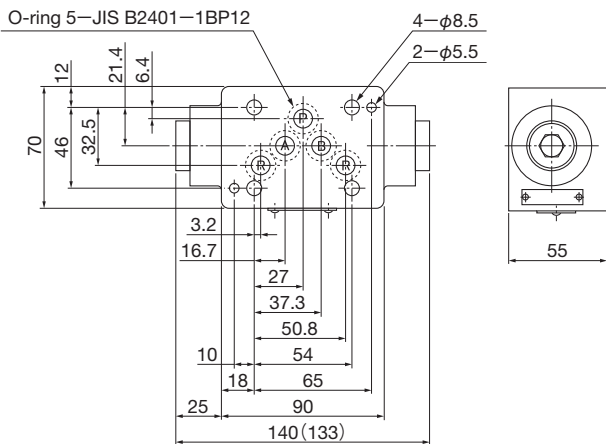


Mass: 0.9kg

HK3H-A-Q*-03

HK3H-B-Q*-03

HK3H-W-Q*-03



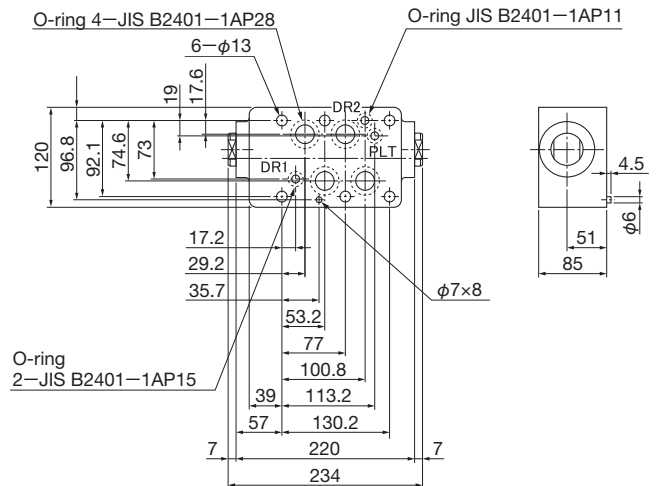
Dimensions in parentheses are for each A port and B port types.

Mass: 2.1kg

HK3H-A-Q*-06

HK3H-B-Q*-06

HK3H-W-Q*-06



Mass: 12kg