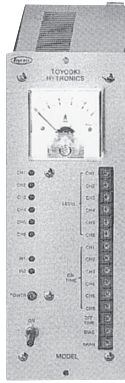


## CONTROL AMPLIFIER FOR EHR3 AND EHG3

ECAP-RD2



This control amplifier is constructed compactly by adopting a switching power supply and can operate with a wide range of power supplies (85 to 250 VAC (50/60 Hz) and 110 to 250 VDC).

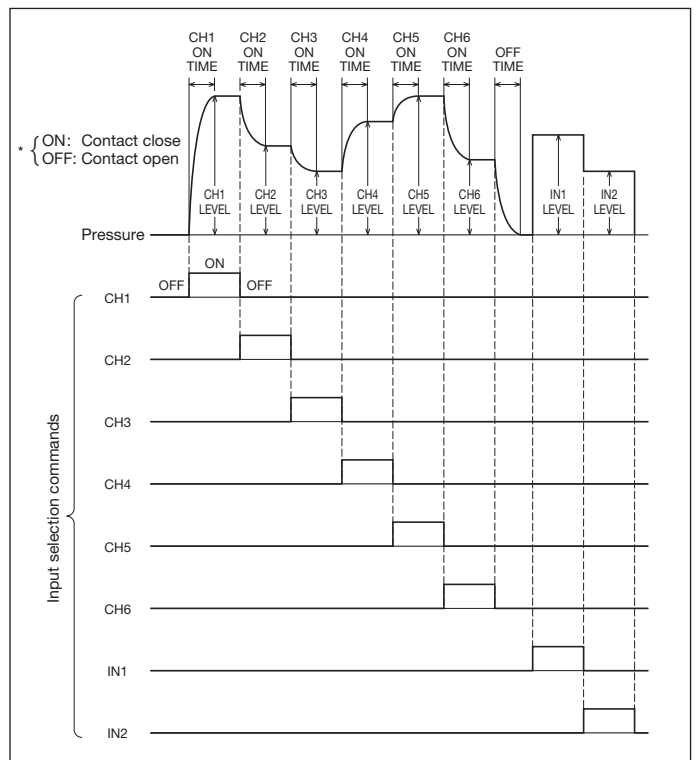
### ■ Features

1. The amplifier incorporates six pressure setting units and can handle multistage pressure control on up to six channels.
  2. The time settings for switchover among the channels can be made independently.
  3. When there are multiple flow settings using one control valve, multiplestage setting and shock relief are possible without installing external setting units.
- The cord connecting the valve coil connection terminal to the valve coil should have a current capacity of 1 A or larger, and the voltage drop in the connection cord should be limited to within 2 V.
  - If the SOL connection terminal is disconnected with the power on, a surge voltage is generated and it may degrade the solenoid insulation.
  - Simultaneous selection of more than one channel may cause trouble. An input selection command should be used for each channel, independently.
  - For the external voltage input (IN1, IN2), use a shielded cable. The shielded cable should be connected as specified: IN1 to terminal No. 10 and IN2 to terminal No. 14. (Terminal Nos. 10 and 14 are connected in the amplifier).

### ■ Specifications

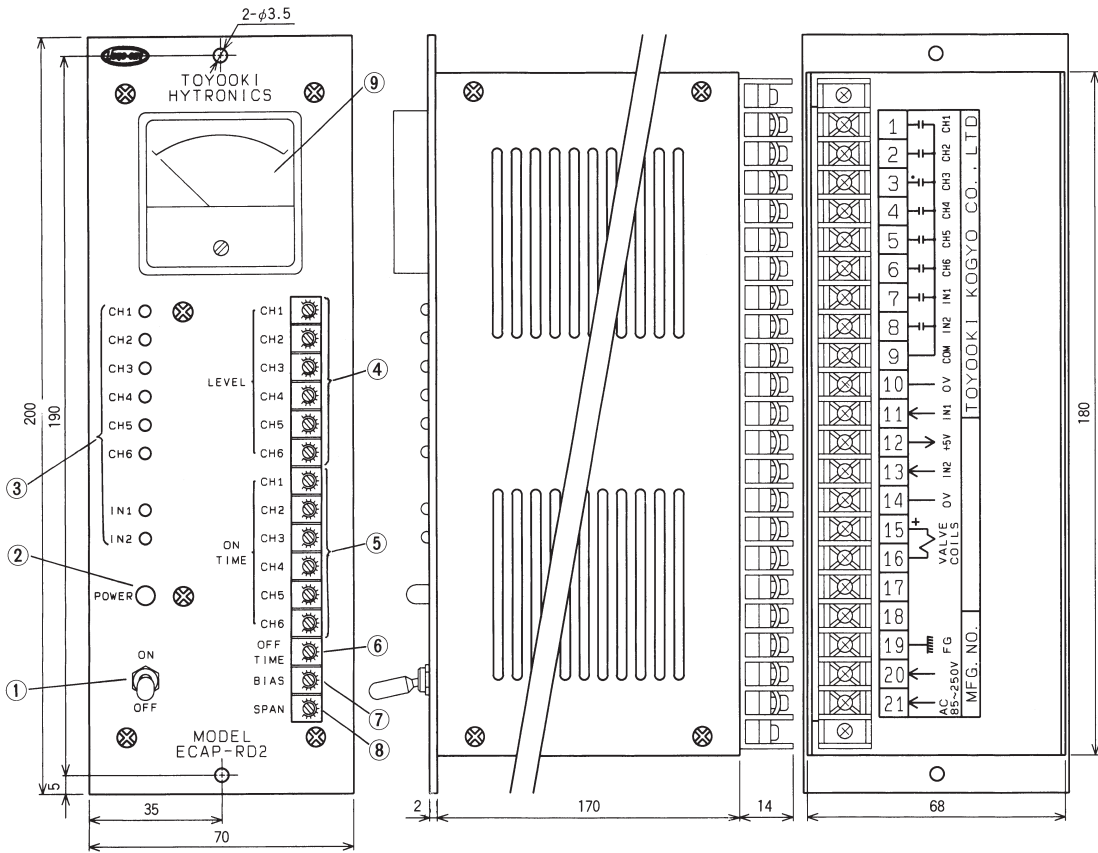
Model	ECAP-RD2	
Power supply voltage	AC85 to 250 V, 50 to 60 Hz, DC110 to 250 V	
External input voltage	0 to +5 V	
Input	Voltage input	2 inputs
	Contact input	6 contacts (input selection command), DC12 V, 2.4 mA
Max. gain	1 A/ 5 V	
Input impedance	10 KΩ	
Rated output current	1 A	
Time setting adjustment range	0.07 to 7 s (CR time constant curve)	
Valve/coil resistance	13Ω/ at 20 °C	
Mass	1.8kg	
Operating temperature range	0 to 50 °C	
Max. power consumption	50 VA	

### ■ Time chart



■ Outside dimensions

ECAP-RD2

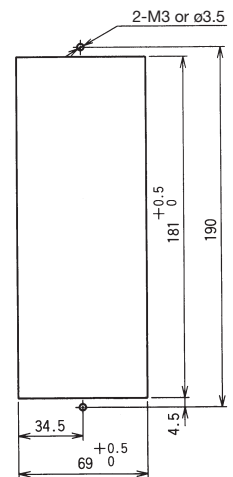


■ Terminal functions

■ Mounting hole dimensions

- ① Power switch
- ② POWER pilot lamp
- ③ Input selection indicating lamps
- ④ Pressure setting knobs
- ⑤ Rise time setting knobs (ON TIME)
- ⑥ Fall time setting knobs (OFF TIME)
- ⑦ Minimum pressure setting knob (BIAS)
- ⑧ Maximum pressure setting knob (SPAN)
- ⑨ Ammeter

Terminal No.	Descriptions	Terminal No.	Descriptions
1	Input selection command CH1	12	Input signal +5V
2	↑ CH2	13	↑ IN2
3	↑ CH3	14	↑ OV
4	↑ CH4	15	Output to valve
5	↑ CH5	16	
6	↑ CH6	17	Spare
7	↑ IN1	18	
8	↑ IN2	19	Frame ground
9	↑ COM	20	Power input AC85 to 250 V DC110 to 250 V
10	Input signal OV	21	
11	↑ IN1		



■ Terminal connection

